

**instruction manual  
eredeti használati utasítás  
návod na použitie  
manual de utilizare  
uputstvo za upotrebu  
návod k použití  
uputa za uporabu**



EN - Safety and maintenance / H - Biztonság és karbantartás / SK - Bezpečnosť a údržba / RO - Siguranță și întreținere / SRB-MNE - Bezbednost i održavanje / CZ - Bezpečnost a údržba / HR-BIH - Sigurnost i održavanje	4 – 32
EN - Functions / H - Funkciók / SK - Funkcie / RO - Funcții / SRB-MNE - Funccije / CZ - Funkce / HR-BIH - Funkcije	33 – 43



Figure 1 • 1.ábra • 1. obrázok • fig. 1. • 1. skica • 1. obrázek • Slika 1.

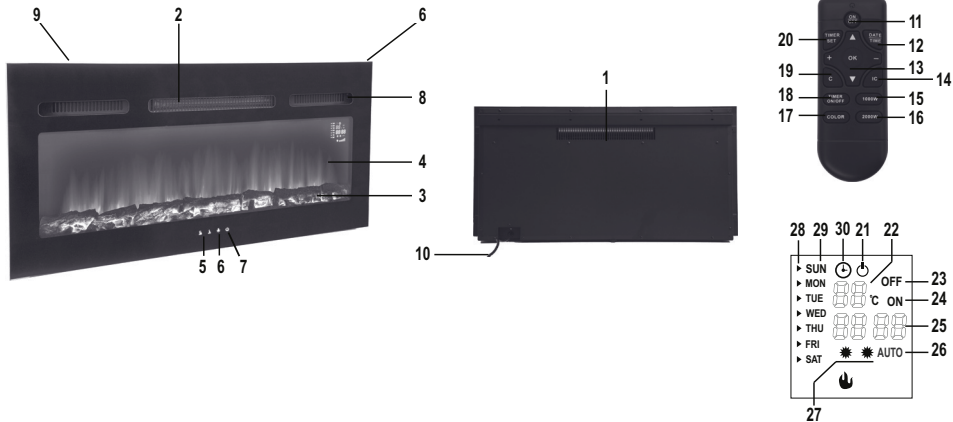


Figure 2 • 2.ábra • 2. obrázok • fig. 2. • 2. skica • 2. obrázek • Slika 2.

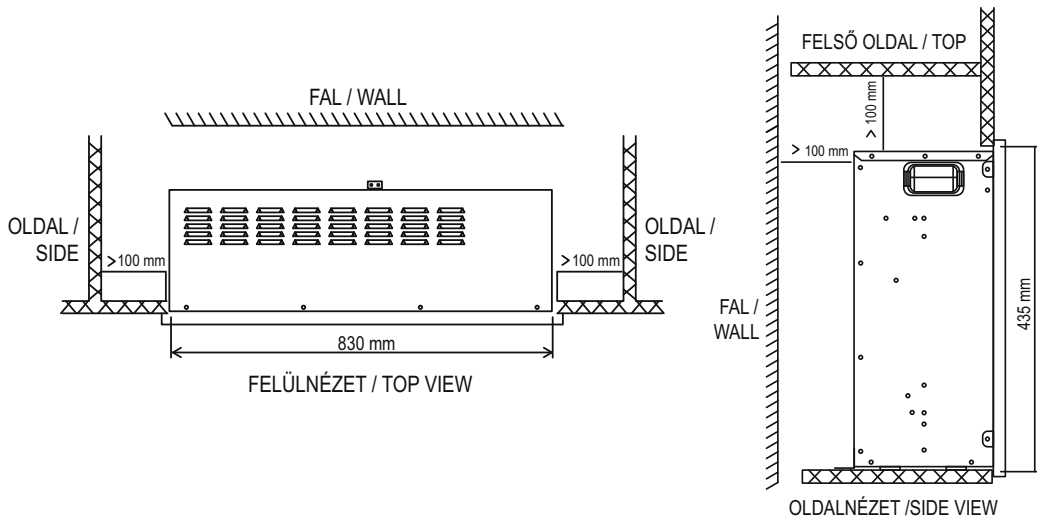
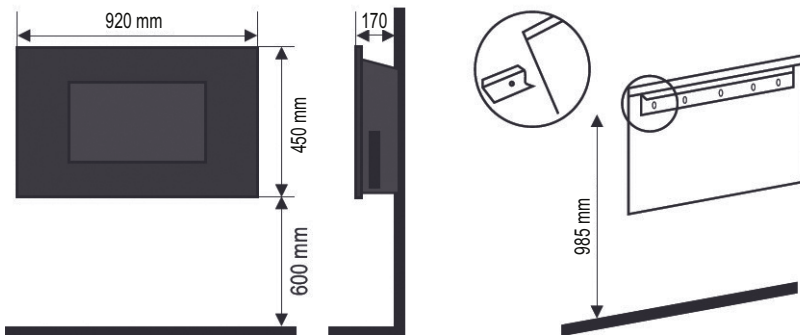


Figure 3 • 3. ábra • 3. obrázok • fig. 3. • 3. skica • 3. obrázek • Slika 3.



	EN	H	SK	RO	SRB-MNE	CZ	HR-BIH
	<b>STRUCTURE (Figure 1.)</b>	<b>FELÉPÍTÉS (1. ábra)</b>	<b>ŠTRUKTÚRA (1. obrázok)</b>	<b>STRUCTURĂ (Figura 1.)</b>	<b>SASTAVNI DELOVI (1. skica)</b>	<b>POPIS (1. schéma)</b>	<b>DIJELOVI UREDAJA (Slika 1.)</b>
1.	cold air inlets	hideg levegő bevezető nyílások	vstupné otvory pre studený vzduch	orificii de admisie aer rece	otvori za ulaz hladnog vazduha	vstupni otvory studeného vzduchu	ulazi hladnog zraka
2.	warm air outlet	meleg levegő kivezető nyílás	výstupný otvor pre teplý vzduch	orificiile de evacuare aer cald	otvori za izlaz toplog vazduha	výstupní otvor teplého vzduchu	izlaz toplog zraka
3.	realistic glowing log and flame effect	valóságához izzó farönk és láng effekt	plameňový efekt a efekt žeravých polien	efect realist de buștean jar și flacără	efekat žarečeg drveta i plamena	efekt reálné hořícího dřevěného polena a plamene	realističan efekt užarenog trupca i plamena
4.	glass front panel	üveg előlap	sklenený predný panel	partea frontală din sticlă	staklena prednja ploča	skleněný čelní panel	staklena prednja strana
5.	heating stage push-buttons	fűtési fokozat nyomógombok	tláčidlá stupňa ohrievania	butoane selecție treaptă de încălzire	prekidači za jačinu grejanja	tláčítka stupňů vytápění	tipke razine grijanja
6.	color selection button	szín választó gomb	tláčidlo pre výber farby	butonul de selectare a culorii	taster za promenu boje plamena	tláčitko pro výběr barvy	tipka za odabir boje
7.	on/off switch	be-/kikapcsoló gomb	za-/vypínač	buton pornire / oprire	uključivanje/isključivanje	tláčitko zapínání a vypínání	tipka za uključivanje/isključivanje
8.	main switch	főkapcsoló	hlavný spínač	întrerupător principal	glavni prekidač	hlavní spínač	glavni prekidač
9.	recessed carrying handles	süllyesztett hordfűelek	zapustený držiak	urechi încastrate	upuštena drška	zapusťená držadla	udubljene ušice za nošenje
10.	power cable	hálózáti csatlakozókábel	sieťový napájací kábel	cablu de conectare la rețea	priključni kábel	síťový napájecí kábel	mrežni priključni kábel
	<b>EN</b>	<b>H</b>	<b>SK</b>	<b>RO</b>	<b>SRB-MNE</b>	<b>CZ</b>	<b>HR-BIH</b>
	<b>Functions of remote control buttons (Figure 3.)</b>	<b>A távirányító gombjai (3. ábra)</b>	<b>Tláčidlá diaľkového ovládača (3. obrázok)</b>	<b>Butoane de pe telecomandă (figura 3.)</b>	<b>Tasteri na daljinskom upravljaču (3. skica)</b>	<b>Dálkový ovladač (3. schéma)</b>	<b>Funkcije tipki daljinskog upravljača (Slika 3.)</b>
11.	on/off switch	be-/ kikapcsoló gomb	za-/vypínač	buton pornire / oprire	uključivanje, isključivanje	tláčitko zapínání a vypínání	tipka za uključivanje/isključivanje
12.	DATE/TIME (date/time set button)	DATE/TIME ( dátum / idő állító gomb)	DATE/TIME (nastavenie dátumu / času)	DATE/TIME (buton setare data / timp)	DATE/TIME (podešavanje datuma / tačnog vremena)	DATE/TIME (datum / tlačitko pro nastavení času)	DATUM / VRIJEME (gumb za podešavanje datuma / vrijeme)
13.	▲, ▼, +, -, OK (selector button)	▲, ▼, +, - OK (választógomb)	▲, ▼, +, -, OK (tláčidlo volby)	▲, ▼, +, -, OK (buton selectare)	▲, ▼, +, -, OK (odabir)	▲, ▼, +, -, OK (tláčitko volby)	▲, ▼, +, -, OK (tipka za odabir)
14.	Automatic heating control	automatikus fűtésszabályozás	automatická regulácia ohrievania	Controlul automat al încălzirii	automatski režim grejanja	indikace otevření okénka	automatsko upravljanje grijanjem
15.	1000 W (heating stage selector)	1000 W (fűtési fokozat választó)	1000 W (výber stupňa ohrievania)	1000 W (selecție treaptă de încălzire)	1000 W (odabir jačine grejanja)	1000 W (volba stupně vytápění)	1000 W (selektor razine grijanja)
16.	2000 W (heating stage selector)	2000 W (fűtési fokozat választó)	2000 W (výber stupňa ohrievania)	2000 W (selecție treaptă de încălzire)	2000 W (odabir jačine grejanja)	2000 W (volba stupně vytápění)	2000 W (selektor razine grijanja)
17.	COLOR (flame effect colour selector)	COLOR (láng effektus színválasztó)	COLOR (nastavenie plameňového efektu)	COLOR (selecție culoare efect de flacără)	COLOR (odabir boje plamena)	COLOR (volba barvy efektu hořícího plamene)	BOJA (birač boja efekta plamena)
18.	TIMER ON/OFF (switch timer function on/off)	TIMER ON/OFF (időzítő funkció be-, kikapcsolása)	TIMER ON/OFF (za-, vypnutie časovača)	TIMER ON/OFF (funcție temporizator pornit/oprit)	TIMER ON/OFF (aktiviranje i deaktiviranje tajmera)	TIMER ON/OFF (zapnutí, vypnutí funkce načasování)	TAJMER ON/OFF
19.	C (deletion button)	C (törés gomb)	C (tláčidlo zrušit)	C (buton ștergere)	C (taster za brisanje)	C (tláčitko pro vymazání)	C (tipka za brisanje)
20.	TIMER SET (timer function setting)	TIMER SET (időzítő funkció beállítás)	TIMER SET (nastavenie časovača)	TIMER SET (setare funcție temporizator)	TIMER SET (podešavanje tajmera)	TIMER SET (nastavení funkce načasování)	TAJMER SET (podešavanje funkcije tajmera)
	<b>EN</b>	<b>H</b>	<b>SK</b>	<b>RO</b>	<b>SRB-MNE</b>	<b>CZ</b>	<b>HR-BIH</b>
	<b>Display (Figure 4.)</b>	<b>A kijelző (4. ábra)</b>	<b>Displej (4. obrázok)</b>	<b>Ecranul (figura 4.)</b>	<b>Displej (4. skica)</b>	<b>Displej (4. schéma)</b>	<b>Zaslon (Slika 4.)</b>
21.	ready status indicator	üzemkész állapotjelző	kontrolka prevádzkyschopnosti	Semnalizare pregătित pentru funcționare	indikator pripravnosti	signalizace pohotovostního stavu	Indikator spremnosti
22.	measured temperature / set temperature / program number	mért hőmérséklet / beállított hőmérséklet / program sorszám	nameraná teplota / nastavená teplota / poradové číslo programu	temperatură măsurată / temperatură setată / număr de ordine program	merena temperatura / podešena temperatura / redni broj programa	měřená teplota / nastavená teplota / pořadové číslo programu	izmjerena temperatura / zadana temperatura / broj programa
23.	switch off timing	kikapcsolás időzítés	časovač vypnutia	temporizator oprire	automatsko isključenje	načasování vypnutí	tajmer isključivanja
24.	switch on timing	bekapcsolás időzítés	časovač zapnutia	temporizator pornire	tajmer uključjenja	načasování zapnutí	tajmer uključivanja
25.	time	idő	čas	timp	vreme	čas	vrijeme
26.	automatic mode	automata üzemmód	automatický režim	mod de funcționare automat	automatski režim	automatický režim	automatski način rada
27.	heating stage indicator	fűtési fokozat visszajelző	kontrolka stupňa ohrievania	semnalizare treaptă de încălzire	indikator jačine grejanja	indikace stupně vytápění	indikator razine grijanja
28.	cursor to select the days	kurzor a napok kiválasztásához	kurzor pre výber dní	cursor pentru selecția zilei	kurzor za odabir dana	kurzor pro volbu dne	kurzor za odabir dana
29.	days of the week, English	a hét napjai, angolul	dni v týždni, v anglickom jazyku	zilele săptămânii, în engleză	dani u nedelji (engleski)	dny v týdnu, v anglickém jazyce	dani tjedna na engleskom jeziku
30.	active timer	aktív időzítő	aktívny časovač	temporizator activ	aktivni tajmer	aktivní časovač	aktivni tajmer

## **EN BUILT-IN ELECTRIC FIREPLACE**

### **IMPORTANT SAFETY INSTRUCTIONS**

**READ THE INSTRUCTION MANUAL CAREFULLY BEFORE USE AND RETAIN IT FOR LATER REFERENCE!**

### **WARNINGS**

1. Before using the product, please read the following instruction manual and keep it for further. The original description was written in Hungarian language.
2. Children below the age of 3 years should be kept away from the appliance, except where they are under constant supervision.  
Children between the age of 3 and 8 may only switch the appliance on/off provided that it has been set up and installed in the normal operating position and they are under supervision, or have been instructed how to operate the appliance safely and understand the hazards associated with use. This appliance may only be used by persons with impaired physical, sensory or mental capabilities, or lacking in experience or knowledge, as well as children from the age of 8, if they are under supervision or have been given instruction concerning use of the appliance by a person responsible for their safety and they have understood the hazards associated with use. Children should not be allowed to play with the unit. Children may only clean or perform user maintenance on the appliance under supervision. **WARNING: Parts of this appliance can become very hot and could cause burns. Extra care should be taken when children or handicapped persons are around.**
3. Make sure that the appliance has not been damaged in transit!!
4. The appliance must be operated only when it is built in to its place!
5. The appliance must be installed only by a qualified technician, taking into account the mounting dimensions shown on Figure 3.! Always observe the health and safety regulations valid in the country of use!
6. The appliance should be used as it is intended for heating air, not for general heating purposes.
7. The stream of hot air should not be directed straight to curtains or other flammable materials! (min. 150 cm)
8. The cover and the glass can be hot around the hot air outlet!
9. Do not locate near flammable materials! (min. 100 cm)
10. Do not use in locations where flammable vapors or explosive dust may be released. Do not use near flammable materials or in potentially explosive atmospheres!
11. Operate under constant supervision!
12. Do not operate unattended in the presence of children!
13. Only for indoor use, in a dry place. Protect from humidity (e.g. bathrooms, swimming pools)!

14. It is PROHIBITED to use the unit near bathtubs, basins, showers, swimming pools or saunas!
15. When not planning to use the unit for an extended period of time, switch it off then remove the power plug from the outlet!
16. Power off the unit every time before relocating it!
17. It is forbidden to place the unit directly below a power socket!
18. If any irregular operation is detected (e.g., unusual noise or burnt odor from unit), immediately switch it off and remove the power plug!
19. Make sure that no foreign objects or liquid can enter the unit through the openings.
20. In order to avoid electric shock, do not expose the unit to dripping or splashing water and do not place objects filled with liquid, for example vase on it!
21. Do not put any objects at all on top of the unit, as it may melt, boil, light up because of the hot appliance, causing fire or electric shock!
22. Protect it from dust, humidity, sunshine and direct thermal radiation!
23. Power off the unit by unplugging it from the electric outlet before cleaning!
24. Never touch the unit or the power cable with wet hands!
25. The appliance may only be connected to properly ground 230 V AC/50 Hz electric wall outlets. Circuit has to be protected by a 16 A circuit-breaker.
26. Unwind the power cable completely!
27. Do not connect it directly to the mains! It can be used only with the original, grounded connection plug!
28. The appliance should be located so as to allow easy access and removal of the power plug!
29. Do not use extension cords or power strips to connect the unit!
30. Do not lead the power cable over the appliance, or near the air in- and outlets!
31. Do not lead the power cable under carpets, doormats, etc.!
32. Lead the power cable so as to prevent it from being pulled out accidentally or tripped over.
33. The battery should be replaced by adults only.
34. Insert the batteries observing the polarity.
35. Do not use different kinds of batteries and/or used and new batteries together.
36. After replacing the batteries fasten the battery compartment's lid.
37. Remove the battery if you are not planning to use the product for an extended period of time.
38. If there is any liquid flown out from the battery, wear protective gloves and clean the battery compartment with a dry cloth.
39. Immediately remove the depleted battery.
40. Warning! Risk of explosion in case of incorrect battery replacement! It can be replaced only with the same or a replacement type.
41. Do not expose the batteries to direct heat radiation and sunshine. It is forbidden to open them up, to throw them into fire or to short-circuit them.
42. Non-rechargeable batteries must not be charged. Risk of explosion!
43. Do not insert an accumulator instead of the battery, because it provides significantly lower voltage and efficiency.

44. Do not weld or solder directly to the battery.
45. Store unused batteries in their original packaging, away from metal objects.
46. Do not mix batteries which have already been unpacked. The appliance should be located so as to allow easy access and removal of the power plug.
47. The unit is intended for household use. No industrial use is permitted.
48. Due to continuous improvements, the technical data and design may change without any prior notice.
49. The actual instruction manual can be downloaded from [www.somogyi.hu](http://www.somogyi.hu) website.
50. We do not take the responsibility for printing errors which may occur, and apologize for them.

### CAUTION: RISK OF ELECTRIC SHOCK!



Do not attempt to disassemble or modify the unit or its accessories. In case any part is damaged, immediately power off the unit and seek the assistance of a specialist.



In the event that the power cable should become damaged, it should only be replaced by the manufacturer, its service facility or similarly qualified personnel.



Meaning of symbol on appliance: **Do not cover!**

Covering the unit can cause overheating, fire or electric shock!



**THE REMOTE CONTROLL IS NOT A TOY. KEEP OUT OF REACH OF CHILDREN.**

### PUTTING INTO USE, INSTALLATION, MOUNTING ON THE WALL

1. Before installation, carefully remove packaging, and make sure not to damage the unit or the power cord. If you find any damage, the unit must not be operated!
2. The appliance is exclusively for use in a dry, indoor environment.
3. Remove the wall bracket attached to the back of the unit. For this, remove the screws that secure it on the two sides, and then tilt the bracket out of the holes on the back of the appliance.
4. If you build in the product:
  - a. Use only heat-resistant, non-flammable, non-thermoplastic materials for the installation and surrounding works, as the housing of the appliance may become hot during operation.
  - b. The appliance must be placed on a solid, dust-free, horizontal surface. Do not place it on carpets or similar materials.
  - c. Have the appliance installed by a specialist, taking into account the installation dimensions shown in Figure 2. **Ensure free airflow to the back of the unit for proper operation.** Make sure that nothing will block the cold air inlets on the back and top of the unit.
5. If you mount the product on a wall:
  - a. Select the wall mounting location as shown in Figure 3, and then keep the bracket to the wall and mark the location of the holes. You can deviate from the recommended height of 600mm, however, you must observe the minimum height of 300mm above the floor.

The bracket should align with the wall. Take into account the load bearing capacity of the wall.

- b. After attaching the bracket, hang the appliance on it, and then secure the bracket by tightening the two screws on the sides you have just removed.
  - c. Make sure that the heater is attached firmly on the wall.
6. Keep the appliance in a place, where the power supply plug can be easily reached and unplugged.
  7. Make sure that the main switch of the appliance is in the off (0) position.
  8. Insert 2 pcs AAA (1.5V) batteries into the remote controller. Make sure to observe correct polarity.
  9. Plug the unit into a standard grounded wall socket. Now the unit is ready for operation!

## CLEANING, MAINTENANCE

In order to ensure optimum functioning, the unit may require cleaning at least once a month, depending on the manner of use and degree of contamination.

1. Switch off and power off the unit by unplugging it from the electric outlet before cleaning!
2. Let the appliance to cool (for at least 30 minutes).
3. Clean the metal protective grid with vacuum cleaner, with brush head.
4. Use a slightly moistened cloth to clean the external surface of the unit! Do not use any aggressive detergents! Avoid getting water inside of the appliance, onto its electric components!

## TROUBLESHOOTING

<b>Malfunction</b>	<b>Possible solution</b>
The appliance does not heat.	Check the power supply!
	Check the section on overheating!
Flame effect does not work.	Check the power supply!
Overheating protection activates frequently.	Clean the appliance!
The appliance does not react to the remote control's signals.	Check the remote control's batteries!

## DISPOSAL



Waste equipment must be collected and disposed separately from household waste because it may contain components hazardous to the environment or health. Used or waste equipment may be dropped off free of charge at the point of sale, or at any distributor which sells equipment of identical nature and function. Dispose of product at a facility specializing in the collection of electronic waste. By doing so, you will protect the environment as well as the health of others and yourself. If you have any questions, contact the local waste management organization. We shall undertake the tasks pertinent to the manufacturer as prescribed in the relevant regulations and shall bear any associated costs arising.



## DISPOSING OF ALKALINE AND RECHARGEABLE BATTERIES

Batteries, whether alkaline or rechargeable, must not be handled together with regular household waste. It is the legal obligation of the product's user to dispose of batteries at a nearby collection center or at a retail shop. This ensures that the batteries are ultimately neutralized in an environment-friendly way.

## **H** BEÉPÍTHETŐ ELEKTROMOS LÁTVÁNYKANDALLÓ

### FONTOS BIZTONSÁGI UTASÍTÁSOK

### OLVASSA EL FIGYELMESEN ÉS ŐRIZZE MEG A KÉSŐBBI FELHASZNÁLÁSHOZ!

#### FIGYELMEZTETÉSEK

1. A termék használatba vétele előtt, kérjük, olvassa el az alábbi használati utasítást és őrizze is meg. Az eredeti leírás magyar nyelven készült.
2. A 3 évesnél fiatalabb gyermekeket távol kell tartani a készüléktől, kivéve, ha folyamatos felügyelet alatt állnak. A 3 évesnél idősebb és 8 évesnél fiatalabb gyermekek csak ki-/bekapcsolhatják a készüléket, feltéve, ha azt a normál működési helyzetében helyezték el és telepítették, valamint felügyelet alatt vannak vagy a készülék biztonságos használatára vonatkozó útmutatást kapnak, és megértik a használatból adódó veszélyeket. Ezt a készüléket azok a személyek, akik csökkent fizikai, érzékelési vagy szellemi képességekkel rendelkeznek, vagy akiknek a tapasztalata és a tudása hiányzik, továbbá gyermekek 8 éves kortól csak abban az esetben használhatják, ha az felügyelet mellett történik, vagy a készülék biztonságos használatára vonatkozó útmutatást kapnak, és megértik a használatból eredő veszélyeket. Gyermekek nem játszhatnak a készülékkel. Gyermekek kizárólag felügyelet mellett végezhetik a készülék tisztítását vagy felhasználói karbantartását. **FIGYELEM: Ezen készülék néhány része nagyon forróvá válhat és égési sérülést okozhat. Különösen vigyázni kell, ha gyermekek és kiszolgáltatott emberek vannak jelen.**
3. Bizonyosodjon meg róla, hogy a készülék nem sérült meg a szállítás során!
4. A készüléket csak a helyére szerelve szabad üzemeltetni!
5. A készüléket csak szakember építse be, a 2. ábrán feltüntetett beépítési méreteket figyelembe véve! Vegye figyelembe a mindenkoriban országban érvényes biztonsági előírásokat!
6. A készülék rendeltetése szerint csak a levegő felmelegítésére használható, általános melegítési célokra nem.
7. A kiáramló meleg levegő ne irányuljon közvetlenül függönyre, vagy más éghető anyagra! (min. 150 cm)
8. A meleg levegő kivezető nyílás körül a burkolat és az üveg forró lehet!
9. Ne helyezze gyúlékony anyag közelébe! (min. 100 cm)
10. Tilos ott használni, ahol gyúlékony gőz vagy robbanásveszélyes por szabadulhat fel! Ne használja gyúlékony vagy robbanásveszélyes környezetben!



11. Csak folyamatos felügyelet mellett üzemeltethető!
12. Tilos gyermekek közelében felügyelet nélkül működtetni!
13. Csak száraz beltéri körülmények között használható! Óvja párás környezettől (pl. fürdőszoba, uszoda)!
14. A készüléket TILOS fürdőkád, mosdókagyló, zuhany, úszómedence vagy szauna közvetlen közelében használni!
15. Ha hosszabb ideig nem használja, a készüléket kapcsolja ki, majd húzza ki a csatlakozókábelt!
16. Mielőtt mozgatja a fűtőtestet, minden esetben áramtalanítsa azt!
17. A készüléket tilos közvetlenül hálózati csatlakozóaljzat alatt elhelyezni!
18. Ha bármilyen rendellenességet észlel (pl. szokatlan zajt hall a készülékből, vagy égett szagot érez) azonnal kapcsolja ki és áramtalanítsa!
19. Ügyeljen arra, hogy a nyílásokon keresztül semmilyen tárgy vagy folyadék ne kerülhessen a készülékbe.
20. Az áramütés elkerülése érdekében a készüléket ne érje csepegő vagy fröccsenő víz, és ne tegyen folyadékkal töltött tárgyakat, pl. vázát a készülékre!
21. A készülék tetejére ne rakjon semmilyen tárgyat, mert az a forró készüléktől megolvadhat, felforrhat, meggyulladhat, ezzel tüzet, áramütést okozhat!
22. Óvja portól, párától, napsütéstől és közvetlen hőszugárzástól!
23. Tisztítás előtt áramtalanítsa a készüléket a csatlakozódugó kihúzásával!
24. A készüléket és a csatlakozókábelt vizes kézzel soha ne érintse meg!
25. Csak 230V~ / 50Hz feszültségű földelt fali csatlakozóaljzatba szabad csatlakoztatni! Az áramkör 16 A-es kismegszakítóval védett legyen.
26. A csatlakozókábelt teljesen tekerje le!
27. Ne kösse be közvetlenül a készüléket a hálózatba! Kizárólag az eredeti, földelt csatlakozódugóval csatlakoztatható!
28. A készüléket úgy helyezze el, hogy a csatlakozódugó könnyen hozzáférhető, kihúzható legyen!
29. Ne használjon hosszabbítót vagy elosztót a készülék csatlakoztatásához!
30. Ne vezesse a csatlakozókábelt a készüléken, vagy a levegő be-és kivezető nyílások közelében!
31. Ne vezesse a csatlakozókábelt szőnyeg, lábtörlő, stb. alatt!
32. Úgy vezesse a csatlakozókábelt, hogy az véletlenül ne húzódhasson ki, illetve ne botolhasson meg benne senki!
33. Az elemcserét csak felnőtt végezheti!
34. Az elemek behelyezésénél ügyeljen a helyes polaritásra!
35. Ne használjon együtt különböző márkájú és/vagy töltöttségi állapotú elemeket!
36. Elemcsere után rögzítse az elemtartó fedelét!
37. Távolítsa el az elemet, ha hosszabb ideig nem használja a terméket!
38. Ha abból esetleg kifolyt a folyadék, akkor vegyen fel védőkesztyűt és száraz ruhával tisztítsa meg az elemtartót!
39. Az elem kimerülése után azonnal távolítsa el azt!

40. Figyelem! Robbanásveszély helytelen elemcsere esetén! Csak azonos vagy helyettesítő típusra cserélhető!
41. Az elemeket ne tegye ki közvetlen hő- és napsugárzásnak! Tilos felnyitni, tűzbe dobni vagy rövidre zárni!
42. A nem tölthető elemeket tilos tölteni! Robbanásveszély!
43. Az elem helyett ne alkalmazzon akkumulátort, mert annak feszültsége és határfoka kisebb!
44. Ne hegesszen vagy forrasszon közvetlen az elemhez!
45. A nem használt elemeket tárolja az eredeti csomagolásukban és távol fém tárgyaktól.
46. A már kicsomagolt elemeket ne keverje vagy öntse össze!
47. Csak magáncélú felhasználás engedélyezett, ipari nem!
48. A folyamatos továbbfejlesztések miatt műszaki adat és a dizájn előzetes bejelentés nélkül is változhat.
49. Az aktuális használati utasítás letölthető a [www.somogyi.hu](http://www.somogyi.hu) weboldalaról
50. Az esetleges nyomdahibákért felelősséget nem vállalunk, és elnézést kérünk.

## ÁRAMÜTÉSVESZÉLY!



Tilos a készülék vagy tartozékainak szétszerelése, átalakítása! Bármely rész megsérülése esetén azonnal áramtalanítsa és forduljon szakemberhez.



Ha a hálózati csatlakozóvezeték megsérül, akkor a cserét kizárólag a gyártó, annak javító szolgáltatója vagy hasonlóan szakképzett személy végezheti el!



A készüléken lévő piktogram jelentése: **Tilos letakarni!**

Letakarása túlmelegedést, tűzveszélyt, áramütést okozhat!



**A TÁVIRÁNYÍTÓ NEM JÁTÉK, GYERMEK KEZÉBE NE KERÜLJÖN!**

## ÜZEMBE HELYEZÉS, BEÉPÍTÉS, FALRA SZERELÉS

1. Üzembe helyezés előtt óvatosan távolítsa el a csomagolóanyagot, nehogy megsértse a készüléket vagy a csatlakozóvezeteket. Bármilyen sérülés esetén tilos üzembe helyezni!
2. A készülék kizárólag száraz beltéri körülmények között használható!
3. Szerelje le a készülék hátához rögzített fali tartó konzolt. Ehhez csavarja ki az azt a két oldalon rögzítő csavarokat, majd billentse ki a konzolt a készülék hátán található nyílásokból.
4. A termék beépítése esetén:
  - a. A beépítéshez, körbeépítéshez kizárólag hőálló, nem gyúlékony, hőre nem lágyuló anyagokat használjon, mert a készülék burkolata forróvá válhat működés közben!
  - b. A készüléket csak szilárd, pormentes, vízszintes felületre szabad állítani. Szőnyegre, vagy hasonló anyagra állítani tilos!
  - c. A készüléket csak szakember építse be, a 2. ábrán feltüntetett beépítési méreteket figyelembe véve! **A működéshez biztosítani kell, hogy a levegő szabadon áramoljon a készülék hátoldalához.** Ügyeljen rá, hogy a hátoldalon és a készülék tetején a hideg levegő bevezető nyílásokat ne takarja le semmi.

5. A termék falra szerelése esetén:
  - a. A 3. ábrának megfelelően válassza meg a falra szerelés helyét, majd a tartókonzolt a falhoz illesztve jelölje ki a furatok helyét. Az ajánlott 600 mm-es magasságtól eltérhet, de a minimális padlósínt feletti magasság 300 mm! A konzol síkja fekvődjön fel a falra. Vegye figyelembe a fal teherbírását!
  - b. A konzol rögzítése után akassza a készüléket a konzolra, majd biztosítsa a konzolt az eredeti két oldalsó csavar visszatekerésével.
  - c. Győződjön meg róla, hogy a készülék stabilan van a falon!
6. A készüléket úgy helyezze el, hogy a csatlakozódugó könnyen hozzáférhető, kihúzható legyen!
7. A készülék főkapcsolója kikapcsolt (0) állásban legyen!
8. A távirányítóba helyezzen be 2 db AAA méretű (1,5V) ceruzaelemet. Ügyeljen a helyes polaritásra!
9. Csatlakoztassa a készüléket szabványos földelt fali csatlakozóaljzatba! Ezzel a készülék üzemkés.

## TISZTÍTÁS, KARBANTARTÁS

A készülék optimális működése érdekében a szennyeződés mértékétől függő gyakorisággal, de legalább havonta egyszer szükséges lehet a készülék tisztítása.

1. Tisztítás előtt kapcsolja ki a készüléket, majd áramtalanítsa a csatlakozódugó kihúzásával!
2. Hagyja lehűlni a készüléket (min. 30 perc).
3. A fém védőrácsot porszívóval, kefefeltéttel tisztítsa meg.
4. Enyhén nedves ruhával tisztítsa meg a készülék külsejét. Ne használjon agresszív tisztítószeret! A készülék belsejébe, az elektromos alkatrészekre nem kerülhet víz!

## HIBAELHÁRÍTÁS

Hibajelenség	A hiba lehetséges megoldása
a készülék nem fűt	ellenőrizze a hálózati tápellátást
	ellenőrizze a túlmelegedésnél leírtakat
láng effekt nem működik	ellenőrizze a hálózati tápellátást
sűrűn aktiválódik a túlmelegedés elleni védelem	tisztítsa meg a készüléket
a készülék nem reagál a távirányító jeleire	ellenőrizze a távirányító elemeit

## ÁRTALMATLANÍTÁS



A hulladékká vált berendezést elkülönítetten gyűjtse, ne dobja a háztartási hulladékba, mert az a környezetre vagy az emberi egészségre veszélyes összetevőket is tartalmazhat! A használt vagy hulladékká vált berendezés térítésmentesen átadható a forgalmazás helyén, illetve valamennyi forgalmazónál, amely a berendezéssel jellemben és funkciójában azonos berendezést értékesít. Elhelyezheti elektronikai hulladék átvételére szakosodott hulladékgyűjtő helyen is. Ezzel Ön védi a környezetet,

embertársai és a saját egészségét. Kérdés esetén keresse a helyi hulladékkezelő szervezetet. A vonatkozó jogszabályban előírt, a gyártóra vonatkozó feladatokat vállaljuk, az azokkal kapcsolatban felmerülő költségeket viseljük. Tájékoztatás a hulladékkezelésről: [www.somogyi.hu](http://www.somogyi.hu)

## **AZ ELEMEK, AKKUK ÁRTALMATLANÍTÁSA**

Az elemeket/akkukat nem szabad a normál háztartási hulladékkal együtt kezelni. A felhasználó törvényi kötelezettsége, hogy a használt, lemerült elemeket/akkukat lakóhelye gyűjtőhelyén, vagy a kereskedelemben leadja. Így biztosítható, hogy az elemek/akkuk környezetkímélő módon legyenek ártalmatlanítva.

## **SK ZABUDOVATEĽNÝ ELEKTRICKÝ KRB**

### **DÔLEŽITÉ BEZPEČNOSTNÉ UPOZORNENIA**

**POZORNE SI PREČÍTAJTE TENTO NÁVOD NA OBSLUHU A USCHOVAJTE HO PRE BUDÚCE POUŽITIE!**

### **UPOZORNENIA**

1. Spotřebič držte mimo dosahu detí do 3 rokov, okrem prípadu, keď deti máte neustále pod dozorom.
2. Deti staršie ako 3 roky a mladšie ako 8 rokov môžu spotřebič len za- a vypnúť za predpokladu, že je umiestnený a inštalovaný vo svojej normálnej prevádzkovej polohe, ak sú deti pod dozorom alebo sú poučení o bezpečnom používaní spotřebiča a pochopia možné nebezpečenstvá pri používaní výrobku. Spotřebič nie je určený na používanie osobami so zníženými fyzickými, zmyslovými alebo mentálnymi schopnosťami, alebo s nedostatkom skúseností a vedomostí, vrátane detí od 8 rokov, používať ho môžu len pokiaľ im osoba zodpovedá za ich bezpečnosť, poskytuje dohľad alebo ich poučí o bezpečnom používaní spotřebiča a pochopia nebezpečenstvá pri používaní výrobku. Deti by mali byť pod dohľadom, aby sa so spotřebičom nehrali. Čistenie alebo údržbu výrobku môžu vykonať deti len pod dohľadom. **POZOR: Niektoré časti tohto spotřebiča môžu byť horúce a môžu spôsobiť popáleniny. Obzvlášť treba dávať pozor, keď sú v prítomnosti spotřebiča deti a osoby so zníženými fyzickými a mentálnymi schopnosťami.**
3. Skontrolujte, či prístroj sa nepoškodil pri doprave!
4. Výrobok prevádzkujte iba po inštalácii na určené miesto.
5. Neumiestňujte ho priamo do rohu, dodržiavajte minimálne vzdialenosti podľa obrazu č. 2. Berte ohľad na bezpečnostné pokyny, ktoré môžu byť daným štátom špecifické!
6. Výrobok používajte len na jeho účel, na ohrievanie vzduchu, na všeobecné ohrievanie nie.
7. Otvor vývodu vzduchu nikdy nesmerujte priamo na záclony alebo iné horľavé látky! (min. 150 cm)

8. Kryt a sklo okolo otvoru pre teplý vzduch môžu byť horúce!
9. Pri umiestnení dbajte na to, aby ste prístroj neumiestnili v bezprostrednej blízkosti horľavých látok! (min. 100 cm)
10. Prístroj nepoužívajte tam, kde sa skladujú horľavé plyny alebo tekutiny! Nepoužívajte ho v horľavých a výbušných prostrediach!
11. Prístroj prevádzkujte len pod stálym dozorom!
12. Nenechajte bez dozoru v blízkosti detí!
13. Používajte len v suchom, vnútornom prostredí! Chráňte pred vlhkým prostredím (napr. kúpeľňa, plaváreň)!
14. Použitie zariadenia v blízkosti vane, umývadla, sprchy, bazénu alebo sauny je ZAKÁZANÉ!
15. Ak prístroj dlhší čas nepoužívate, vypnite ho, potom odpojte ho zo siete!
16. Prístroj pred premiestňovaním odpojte zo siete!
17. Prístroj je zakázané umiestniť pod sieťovú zásuvku!
18. Ak počas prevádzkovania zistíte akúkoľvek poruchu (napr. zvýšený hluk alebo cítiť zvláštny zápach), okamžite vypnite prístroj a odpojte ho od elektrickej siete!
19. Dbajte na to, aby sa cez otvory do prístroja nedostali žiadne predmety, voda alebo tekutina.
20. Dbajte na to, aby do prístroja nevnikla cez jeho otvory odkvapávajúca alebo striekajúca voda, môže to zapríčiniť úder elektrickým prúdom! Neumiestnite na prístroj predmety naplnené vodou (napr. vázu).
21. Nepoložte na prístroj žiadny predmet, lebo ten od horúceho prístroja sa môže roztopiť, zovrieť, zapáliť, čím môže spôsobiť požiar alebo úder elektrickým prúdom.
22. Chráňte pred prachom, parou, slnečným a priamym tepelným žiarením!
23. Prístroj pred čistením odpojte od elektrickej siete, vytiahnite zástrčku zo siete!
24. Ohrievača a pripojovacieho kábla sa nikdy nedotknite mokrou rukou!
25. Pripojte len do uzemnenej zásuvky s napätím: 230 V~ / 50 Hz! Elektrický obvod musí byť chránený 16A ističom.
26. Pripojovací kábel rozviňte po jeho celej dĺžke!
27. Nenapojte prístroj priamo do elektrickej siete! Prístroj sa môže pripojiť výlučne pomocou originálnej, uzemnenej pripojovacej vidlice!
28. Prístroj umiestnite tak, aby ste mali dostatok miesta na vytiahnutie zástrčky!
29. Pri pripojení prístroja do elektrickej siete nepoužívajte predlžovací prívod alebo rozbočovač!
30. Kábel nevedzte cez prístroj alebo v blízkosti vývodu teplého/studeného vzduchu!
31. Prívodný kábel nevedzte pod kobercom, rohožkou atď.!
32. Prívodný kábel umiestnite tak, aby sa ani náhodou nevytiahol zo zásuvky, a aby oň nikto nemohol potknúť.
33. Výmenu batérií môže previesť len dospelá osoba!
34. Pri výmene batérií dbajte na správnu polaritu!
35. Nepoužívajte naraz rôzne typy batérií a/alebo rôzne nabité batérie!
36. Po výmene batérií puzdro na batérie pevne zafixujte!
37. Keď výrobok dlhší čas nepoužívate, odstráňte z neho batérie!

38. Keď z nich vytekla tekutina, použite ochranné rukavice a očistite suchou utierkou puzdro na batérie!
39. Vybitú batériu ihneď odstráňte z prístroja!
40. Pozor! V prípade nesprávnej výmeny batérie hrozí nebezpečenstvo výbuchu! Batériu nahradte iba rovnakým alebo náhradným typom!
41. Batérie nevystavujte priamemu tepelnému a slnečnému žiareniu! Batérie je zakázané otvoriť, vhodiť do ohňa alebo skratovať!
42. Nenabíjateľné batérie je zakázané nabíjať! Nebezpečenstvo výbuchu!
43. Nepoužívajte akumulátor namiesto batérie, má nižšie napätie aj účinnosť!
44. Nezvárajte alebo nespájajte priamo na batérie!
45. Nepoužité batérie skladujte v ich originálnom balení a držte ďalej od kovových predmetov.
46. Nemiešajte rozbalené batérie!
47. Len na domáce použitie, priemyselné použitie je zakázané!
48. Výrobca si vyhradzuje právo zmeniť technické parametre a design výrobku kedykoľvek bez predchádzajúceho upozornenia.
49. Aktuálny návod na použitie si môžete stiahnuť z webovej stránky [www.somogyi.sk](http://www.somogyi.sk).
50. Za prípadné chyby v tlači nezodpovedáme a ospravedlňujeme sa za ne.

## NEBEZPEČENSTVO ÚRAZU PRÚDOM!



Rozoberať, prerábať prístroj alebo jeho súčasť je prísne zakázané! V prípade akéhokoľvek poškodenia prístroja alebo jeho súčasti okamžite ho odpojte od elektrickej siete a obráťte sa na odborný servis!



Ak sa poškodí pripojovací kábel, výmenu zverte výlučne výrobcovi, splnomocnenej osobe výrobcu, alebo inému odborníkovi!



Význam piktogramu: **Prístroj nezakryte!**

Zakrytie prístroja môže spôsobiť prehriatie, nebezpečenstvo požiaru a úder elektrickým prúdom!



**DIAL'KOVÝ OVLÁDAČ NIE JE HRAČKA, NEPATRÍ DO RÚK DEŤOM!**

## UVEDENIE DO PREVÁDZKY, ZABUDOVANIE, MONTÁŽ NA STENU

1. Pred uvedením do prevádzky opatrne odstráňte balenie prístroja a dbajte na to, aby ste prístroj alebo sieťový kábel nepoškodili. V prípade poškodenia prevádzkovanie prístroja je zakázané!
2. Prístroj prevádzkujte len vo vnútornom, suchom prostredí.
3. Odstráňte konzolu na stenu, ktorá je pripevnená k zadnej časti prístroja. Odskrutkujte upevňovacie skrutky na oboch stranách a potom vyklopte konzolu z otvorov na zadnej strane prístroja.
4. V prípade zabudovania prístroja:

- a. Na zabudovanie a montáž používajte výlučne teplovzdorné, nehorľavé materiály a materiály, ktoré pôsobením tepla nemäknú, lebo kryt prístroja počas prevádzky môže byť horúci!
  - b. Prístroj postavte výlučne na pevnú, hladkú, neprašnú, vodorovnú plochu. Je zakázané postaviť prístroj na koberec alebo inú látku!
  - c. Prístroj môže zabudovať iba odborník, pričom má dodržiavať minimálne vzdialenosti podľa obrázku 2. **Počas prevádzky treba zabezpečiť, aby vzduch mohol voľne prúdiť k zadnej časti prístroja.** Dbajte na to, aby vstupné otvory pre studený vzduch (na zadnej strane a hornej časti prístroja) neboli zakryté.
5. V prípade montáže na stenu:
- a. Podľa obrázku 3. vyberte miesto montáže na stenu, umiestnite konzolu k stene a označte umiestnenie otvorov. Môže sa odchyľovať od odporúčanej výšky 600 mm, ale výška na minimálnou úroveň podlahy je 300 mm! Rovina konzoly má priliehať na stenu. Berte do úvahy nosnosť steny!
  - b. Po upevnení konzoly zaveste prístroj na konzolu, potom zaistíte konzolu zaskrutkovaním pôvodných dvoch bočných skrutiek.
  - c. Uistite sa, že je prístroj stabilne na stene!
6. Prístroj umiestnite tak, aby ste mali dostatok miesta na vytiahnutie zástrčky!
7. Hlavný spínač prístroja má byť vo vypnutej pozícii (0)!
8. Do diaľkového ovládača vložte 2 x AAA (1,5 V) batériu, pričom dbajte na správnu polaritu.
9. Prístroj zapojte do normalizovanej uzemnenej zásuvky elektrickej siete! Týmto je prístroj pripravený na prevádzku.

## ČISTENIE, ÚDRŽBA

V záujme optimálnej prevádzky prístroja a podľa miery zašpinenia, ale najmenej raz do mesiaca prístroj očistite.

1. Pred čistením vypnite prístroj a odpojte z elektrickej siete!
2. Prístroj nechajte vychladnúť (minimálne 30 min).
3. Kovovú ochrannú mriežku vyčistite vysávačom!
4. Prístroj poutierajte zvonka mierne vlhkou utierkou! Nepoužívajte agresívne chemikálie! Dbajte na to, aby sa do vnútra prístroja do elektrických súčiastok nedostala voda!

## RIEŠENIE PROBLÉMOV

Problém	Riešenie problému
prístroj neohrieva	skontrolujte sieťové napájanie
	mohla sa aktivovať ochrana proti prehriatiu
plameňový efekt nefunguje	skontrolujte sieťové napájanie
často sa aktivuje ochrana proti prehriatiu	očistite prístroj
prístroj nereaguje na diaľkový ovládač	skontrolujte batérie v diaľkovom ovládači



## ZNEHODNOCOVANIE



Výrobok nevyhadzujte do bežného domového odpadu, separujte oddelene, lebo môže obsahovať súčiastky nebezpečné na životné prostredie alebo aj na ľudské zdravie! Za účelom správnej likvidácie výrobku odovzdajte ho na mieste predaja, kde bude prijatý zdarma, respektíve u predajcu, ktorý predáva identický výrobok vzhľadom na jeho ráz a funkciu. Výrobok môžete odovzdať aj miestnej organizácii zaoberajúcej sa likvidáciou elektroodpadu. Tým chránite životné prostredie, ľudské a teda aj vlastné zdravie. Prípadné otázky Vám zodpovie Váš predajca alebo miestna organizácia zaoberajúca sa likvidáciou elektroodpadu.

## ZNEHODNOCOVANIE BATÉRIÍ A AKUMULÁTOROV

Batérie / akumulátory nesmiete vyhodiť do komunálneho odpadu. Užívateľ je povinný odovzdať použité batérie / akumulátory do zberu pre elektrický odpad v mieste bydliska alebo v obchodoch. Touto činnosťou chránite životné prostredie, zdravie ľudí okolo Vás a Vaše zdravie.

## RO ȘEMINEU ELECTRIC, ÎNCORPORABIL

### INSTRUCȚIUNI IMPORTANTE PRIVIND SIGURANȚA CITIȚI MĂNUALUL CU AȚENȚIE ȘI PĂSTRAȚI-L ÎNTR-UN LOC ACCESIBIL PENTRU UTILIZARE ULTERIOARĂ!

#### ATENȚIONĂRI

1. Înaintea punerii în funcțiune a aparatului, vă rugăm citiți instrucțiunile de utilizare de mai jos și păstrați-le. Originalul a fost redactat în limba maghiară.
2. Copii mai mici de 3 ani trebuie ținuti departe de aparat ori să fie sub supraveghere continuă. Copii cu vârsta între 3 și 8 ani pot porni/opri aparatul doar în cazul în care sunt supravegheați de către o persoană care răspunde de siguranța lor sau sunt informați cu privire la funcționarea aparatului în condiții de siguranță și au înțeles ce pericole pot rezulta din utilizarea necorespunzătoare. Acest aparat nu este destinat utilizării de către persoane cu capacități fizice, senzoriale sau mentale diminuate, ori de către persoane care nu au experiență sau cunoștințe suficiente (inclusiv copii); copiii peste 8 ani pot utiliza aparatul în cazul în care sunt supravegheați de către o persoană care răspunde de siguranța lor sau sunt informați cu privire la funcționarea aparatului în condiții de siguranță și au înțeles ce pericole pot rezulta din utilizarea necorespunzătoare. În cazul copiilor supravegherea este recomandabilă pentru a evita situațiile în care copiii se joacă cu aparatul. Curățarea sau întreținerea produsului de către copii este permisă numai cu supravegherea unui adult. **ATENȚIE: Unele părți ale aparatului pot deveni fierbinți și pot cauza arsuri. Recomandăm precauție sporită dacă sunt copii sau persoane vulnerabile în apropiere.**
3. Asigurați-Vă că aparatul nu a suferit nici o avarie în timpul transportului!

4. Aparatul poate fi utilizat doar montat la locul lui!
5. Aparatul poate fi montat doar de către un specialist, având în vedere dimensiunile de încorporare menționate în figura 2.! Pe lângă acestea, luați în considerare măsurile de siguranță aplicabile în țara Dvs.!
6. Aparatul poate fi folosit doar conform destinației sale, respectiv pentru încălzirea aerului, dar nu și pentru încălzire generală.
7. Aveți grijă ca aerul cald furnizat de aparat să nu intre în contact direct cu perdele sau alte materiale inflamabile! (min. 150 cm).
8. În apropierea orificiului pentru evacuarea aerului cald, carcasa și sticla pot fi fierbinți!
9. Nu așezați aparatul în apropierea materialelor inflamabile! (min. 100 cm).
10. Este interzisă folosirea aparatului în locurile unde se pot forma vapori inflamabili sau pot fi eliberate pulberi care prezintă pericol de explozie. Nu folosiți aparatul în medii cu materiale inflamabile sau explozive!
11. Poate fi utilizat doar sub supraveghere continuă!
12. Este interzisă exploatarea fără supraveghere în preajma copiilor!
13. Poate fi utilizat doar în interior, în mediu uscat! Protejați produsul de mediile cu aburi (de ex. băi, săli de înot)!
14. Este INTERZISĂ exploatarea în apropierea vanelor, lavoarelor, dușurilor, piscinelor sau a saunelor!
15. Dacă nu veți folosi aparatul o perioadă mai îndelungată de timp, opriți-l și scoateți-l de sub tensiune prin extragerea fișei cablului de alimentare din priză!
16. Înainte de mobilizarea aparatului, întotdeauna scoateți-l de sub tensiunea de rețea!
17. Este interzisă amplasarea aparatului chiar sub prizele de rețea!
18. Dacă observați orice neregulă sau eroare în funcționare (de ex. auziți zgomote ciudate care vin din interiorul aparatului sau simțiți că miroase a ars), opriți imediat aparatul și scoateți-l de sub tensiune!
19. Aveți grijă ca niciun obiect sau lichid să nu pătrundă prin orificii în aparat.
20. Pentru evitarea pericolului de electrocutare, produsul trebuie protejat de picurarea și împrôscarea apei, respectiv evitat așezarea pe produs a obiectelor umplute cu lichide, ex. vază!
21. Nu așezați nici un obiect pe aparat, deoarece acestea se pot topi, fierbe, aprinde din cauza încălzirii produsului, provocând astfel incendiu, electrocutare! 2
22. Protejați produsul de praf, aburi, respectiv de incidența directă a radiației solare sau termice!
23. Înainte de curățare, întotdeauna scoateți aparatul de sub tensiunea de rețea prin extragerea fișei cablului de alimentare din priză!
24. Nu atingeți niciodată aparatul sau cablul de alimentare cu mâna umedă!
25. Aparatul poate fi conectat doar la o priză standard cu împământare, aferentă rețelei monofazate de 230 V~ / 50 Hz! Circuitul trebuie protejat de un întrerupător de 16 A.
26. Desfășurați în întregime cablul de alimentare!
27. Nu conectați aparatul direct în rețeaua electrică! Pentru conectare se va utiliza strict ștecherul original, cu împământare!

28. Amplasați aparatul în așa fel, încât fișa cablului de alimentare să fie ușor accesibilă și să poată fi decuplată cu ușurință!
29. Nu folosiți prelungitor sau distribuitor pentru racordarea aparatului la rețeaua electrică!
30. Nu conduceți cablul de alimentare peste aparat sau în apropierea orificiilor de admisie și evacuare a aerului!
31. Nu conduceți cablul de alimentare sub covor, preș etc!
32. Amplasați cablul de alimentare astfel încât fișa acestuia să nu poată fi extrasă accidental din priză și nimeni să nu se împiedice de acesta!
33. Schimbarea bateriilor poate fi efectuată numai de către adulți!
34. La introducerea bateriilor aveți grijă la polaritatea corectă!
35. Nu utilizați baterii cu marcă și/sau cu stare de încărcare diferită!
36. După înlocuirea bateriilor fixați carcasa suportului de baterii!
37. Dacă nu veți folosi produsul o perioadă mai lungă, îndepărtați bateriile!
38. Dacă lichidul din baterii s-a scurs, folosind mănuși de protecție ștergeți suportul de baterii cu o lavetă uscată!
39. Îndepărtați imediat bateriile descărcate!
40. Atenție! Pericol de explozie la schimbarea eronată a bateriilor! Se poate schimba doar cu model identic sau similar cu cel original!
41. Nu expuneți bateriile la radiații directe solare și termice! Este interzisă desfacerea, aruncarea în foc sau scurtcircuitarea!
42. Este interzisă încărcarea bateriilor care nu se pot încărca! Pericol de explozie!
43. Nu utilizați acumulatori în locul bateriilor deoarece tensiunea și eficiența acestora este mai mică!
44. Nu sudați sau lipiți direct de baterie!
45. Depozitați bateriile nefolosite în ambalajul lor și departe de obiecte metalice.
46. Nu amestecați bateriile despachetate și nu le depozitați la vrac!
47. Aparatul este destinat utilizării casnice. Folosirea sa cu destinație industrială este interzisă!
48. Datorită îmbunătățirii continue a produselor, unele date tehnice și de design pot fi modificate fără o înștiințare în prealabil.
49. Actualul manual de utilizare se poate descărca de pe pagina [www.somogyi.ro](http://www.somogyi.ro).
50. Nu ne asumăm răspunderea pentru eventualele greșeli de tipar și ne cerem scuze.

## PERICOL DE ELECTROCUTARE!



Niciodată nu demontați, modificați aparatul sau componentele lui! În cazul deteriorării oricărei părți al aparatului întrerupeți imediat alimentarea aparatului și adresați-vă unui specialist!



Dacă se constată deteriorarea cablului de alimentare schimbarea lui poate fi efectuată de către fabricant, un prestator de servicii al acestuia sau un specialist cu cunoștințe adecvate!



Semnificația pictogramei de pe aparat: **Acoperirea interzisă!**  
Acoperirea poate provoca supraîncălzire, incendiu, șoc electric!



**TELECOMANDA NU ESTE JUCĂRIE, A NU SE LĂSA LA ÎNDEMÂNA COPILOR!**

## PUNEREA ÎN FUNCȚIUNE, ÎNCASTRARE

1. Înainte de punerea în funcțiune a aparatului îndepărtați cu grijă ambalajul, acționând cu atenție, pentru a preveni deteriorarea produsului sau a cablului de alimentare. În cazul sesizării vreunei avarii, punerea în funcțiune este interzisă!
2. Aparatul poate fi folosit exclusiv în interior, în mediu uscat!
3. Îndepărtați suportul de perete atașat la partea din spate a dispozitivului. Pentru a face acest lucru, desurubați șuruburile care îl fixează pe ambele părți, apoi înclinați suportul în afara fantelor de pe partea din spate a unității.
4. În cazul încastrării:
  - a. Pentru încorporare și montare alegeți doar materiale rezistente la temperaturi înalte, neinflamabile, care nu se topesc, deoarece carcasa aparatului se poate încălzi în timpul funcționării!
  - b. Aparatul poate fi așezat doar pe o suprafață orizontală, solidă, netedă, fără praf. Este interzisă așezarea pe covor sau alte materiale similare!
  - c. Aparatul trebuie încorporat doar de către un specialist, respectând distanțele de încorporare de pe fig. 2.! Pentru funcționare **trebuie asigurat fluxul liber a aerului către spatele produsului**. Aveți grijă ca orificiile de admisie a aerului rece de pe spatele aparatului să nu fie obturate sau acoperite de nimic.
5. Pentru montarea pe perete a produsului:
  - a. Selectați locația de montare pe perete, așa cum se arată în figura 3., apoi marcați găurile prin poziționarea suportului pe perete. Vă puteți abate de la înălțimea recomandată de 600 mm, dar înălțimea minimă deasupra podelei este de 300 mm! Planul suportului trebuie să fie la același nivel cu peretele. Țineți cont de capacitatea portantă a peretelui.
  - b. După ce suportul este fixat, agățați unitatea pe suport și fixați suportul prin strângerea celor două șuruburi laterale originale.
  - c. Asigurați-vă că unitatea este montată în mod stabil pe perete!
6. Aparatul trebuie așezat în așa fel, încât ștecherul să poată fi îndepărtat cu ușurință!
7. Comutatorul principal să fie în poziție oprit(0)!
8. Introduceți în telecomandă 2 buc baterii AAA(1,5 V). Aveți grijă la polaritatea corectă!
9. Conectați aparatul de o priză standard de perete, cu împământare! Astfel aparatul este pregătit pentru funcționare.

## CURĂȚARE, ÎNTREȚINERE

În vederea asigurării unei funcționări optime a aparatului, în funcție de cantitatea de murdărie depusă, poate fi necesară curățarea mai frecventă sau mai rară a aparatului, asigurându-se totuși cel puțin o curățare pe lună.

1. Înainte de curățare opriți aparatul și decuplați-l de la rețeaua de alimentare prin scoaterea fișei cablului de alimentare din priză!
2. Lăsați aparatul să se răcească (timp de min. 30 de minute).
3. Curățați cu aspiratorul orificiile de admisie (1) și evacuare (2) a aerului!

4. tergeți exteriorul carcasei aparatului cu ajutorul unei lavete umede. Nu utilizați soluții de curățare agresive. Aveți grijă să nu pătrundă apă în interiorul aparatului, mai precis pe piesele electrice și electronice!

## DEPANARE

Defecțiuni sesizată	Soluția posibilă
aparatul nu încălzește	verificați tensiunea de alimentare de la rețea
aparatul nu încălzește nu funcționează efectul flacără	verificați setările comutatoarelor
	verificați alimentarea de la rețea
protecția împotriva supraîncălzirii este activată frecvent	curățați produsul
aparatul nu răspunde la comenzile de la telecomandă.	verificați starea bateriilor din telecomandă.

## ELIMINARE



Colectați în mod separat echipamentul devenit deșeu, nu-l aruncați în gunoiul menajer, pentru că echipamentul poate conține și componente periculoase pentru mediul înconjurător sau pentru sănătatea omului! Echipamentul uzat sau devenit deșeu poate fi predat nerambursabil la locul de vânzare al acestuia sau la toți distribuitorii care au pus în circulație produse cu caracteristici și funcționalități similare. Poate fi de asemenea predat la punctele de colectare specializate în recuperarea deșeurilor electronice. Prin aceasta protejați mediul înconjurător, sănătatea Dumneavoastră și a semenilor. În cazul în care aveți întrebări, vă rugăm să luați legătura cu organizațiile locale de tratare a deșeurilor. Ne asumăm obligațiile prevederilor legale privind producătorii și suportăm cheltuielile legate de aceste obligații.

## TRATAREA BATERIILOR, ACUMULATORILOR

Bateriile și acumulatorii nu pot fi tratați împreună cu deșeurile menajere. Utilizatorul are obligația legală de a preda bateriile / acumulatorii uzați sau epuizați la punctele de colectare sau în comerț. Acest lucru asigură faptul că bateriile / acumulatorii vor fi tratați în mod ecologic.

**BITNE BEZBEDNOSNE ODREDBE**

**PAŽLJIVO PROČITAJTE I SAČUVAJTE ZA DALJU UPOTREBU!**

**NAPOMENE**

1. Decu mlađu od 3 godine ne puštati u blizinu uređaja, izuzev ako postoji konstantan nadzor odrasle odgovorne osobe.
2. Daca između 3 i 8 godina uređaj smeju samo da isključuju i uključuju ali samo u slučajevima ukoliko je uređaj montiran pravilno, u normalnim uslovima rada ili su pod nadzorom, ako su upućeni u njeno bezbedno i pravilno rukovanje. Ovaj uređaj nije predviđen za upotrebu licima sa smanjenom mentalnom ili psihofizičkom mogućnošću, odnosno neiskusnim licima uključujući i decu, deca starije od 8 godina smeju da rukuju ovim uređajem samo u prisustvu odrasle osobe ili da su upućeni u bezbedno rukovanje i svesni su svih opasnosti pri radu. Deca se ne smeju igrati sa ovim proizvodom. Korisničko održavanje i čišćenaj ovog prizvoda daca smeju da vrše samo u prisustvu odrasle osobe. **NAPOMENA: Neki delovi ovog uređaja mogu biti vrel i mogu da izazovu opekotine. Pri radu treba obratiti veću pažnju u slučaju da su prisutna deca i nemoćne osobe.**
3. Uverite se da uređaj nije oštećen prilikom transporta!
4. Uređaj se sme koristiti samo montiran na mesto!
5. Prema skici 2. uređaj terba da montira stručno lice! Pridržavajte se standardnih mera zaštite!
6. Uređaj je predviđen isključivo za zagrevanje vazduha prostorija, za druge svrhe ne!
7. Vreo vazduh koji izlazi iz uređaja ne usmeravajte direktno na zavesu ili druge lako zapaljive predmete (min. 150 cm)!
8. Otvor i staklo za topao vazduh mogu biti vrel i!
9. Ne postavite je blizu zapaljivih materijala! (min. 100 cm)
10. Zabranjena upotreba u prostorijama gde se nalaze zapaljive tečnosti i gasovi, ge se oslobađaju zapaljive smese prašine itd!
11. Upotrebljiv samo uz konstantan nadzor!
12. Zabranjena upotreba u prisustvu dece bez nadzora!
13. Uporebljivo samo u suvim prostorijama! Štitite od pare (primer kupatilo, bazen)!
14. ZABRANJENA upotreba u blizini kada, umivaonika, sudopera, tuševa, sauna i bazena!
15. Ukoliko duže vreme ne koristite uređaj isključite ga iz struje i izvucite utičnicu iz struje!
16. Pre pomeranja uređaja, svaki put isključite iz struje!
17. Uređaj zabranjeno postaviti direktno ispod ili blizu strujne utičnice!
18. Ukoliko primetite neke nepravilnosti pri radu (primer: čudan zuk, neprijatan miris, dim), odmah ga isključite iz struje!
19. Obratita pažnju da ništa ne ucuri ili upadne u uređaj!
20. Radi sprječavanja strujnog udara, uređaj ne prskajte vodom i ne postavljajte ga u blizinu posuda sa tečnostima!
21. Ne stavljajte nikakav predmet na uređaj, može da se zagreje i da se zapali i izazove strujni udar!

22. Uređaj čuvajte od prašine, pare, direktnog uticaja sunca i toplite!
23. Pre čišćenja uvek isključite uređaj iz struje!
24. Uređaj i priključni kabel ne dodirujte vlažnim, mokrim rukama!
25. Uređaj se sme uključiti samo u uzemljenu utičnicu 230V~ / 50 Hz, koji treba da je zaštićen osiguračem od 16A.
26. Priključni kabel treba da je potpuno odmotan!
27. Uređaj ne povežite direktno u mrežu! Upotrebljivo isključivo sa sopstvenim priključnim kablom!
28. Uređaj tako postavite da priključni kabel bude uvek lako dostupan!
29. Ne koristite produžne kablove i razdelnike za priključenje uređaja!
30. Priključni kabel ne sme da dodiruje telo grejalice i tako je postavite da ne bude ispred otvora za vreo vazduh!
31. Priključni kabel nemojte provlačiti ispod tepiha, otirača i sličnih predmeta!
32. Priključni kabel tako postavite da ne smeta prolazu, da se ne bi zakačili za nju!
33. Zamenu baterija sme da radi samo odrasla osoba!
34. Prilikom postavljanja baterija obratite pažnju na polaritete!
35. Istovremeno koristite baterije samo istog stanja i tipa!
36. Nakon zamene baterije fiksirajte poklopac baterije!
37. Izvadite bateriju iz uređaja ako ga duže vreme ne koristite!
38. Ako iz baterija slučajno iscuri kiselina, obucite zaštitne rukavice i krpom očistite ležište baterije!
39. Praznu bateriju odmah izvadite iz uređaja!
40. Pažnja! Opasnost od eksplozije u slučaju pogrešno postavljenih baterija! Istovremeno koristite samo baterije istog tipa i stanja!
41. Baterije ne izlažite suncu i toploti! Baterije je zabranjeno rastavljati, kratko ih spajati, u vatru bacati čak ni kada su prazni!
42. Nepunjive baterije je zabranjeno puniti! Opasnost od eksplozije!
43. Umesto baterija ne koristite akumulatore pošto akumulatori imaju znatno manji napon i smanjuje se rad!
44. Ne lemite ili varite baterije!
45. Nekorišćene baterije skladištite u originalnoj ambalaži dalje od metalnih predmeta.
46. Već otpakovane baterije ne mešajte, obratite pažnju da se slučajno ne spoje!
47. Dozvoljeno za upotrebu samo u privatne svrhe, nije za profesionalnu upotrebu!
48. Iz razloga konstantnog razvoja i poboljšavanja kvaliteta promene u karakteristikama i dizajnu mogu se desiti i bez najave.
49. Aktuelno uputstvo za upotrebu možete pronaći na adresi [www.somogyi.hu](http://www.somogyi.hu).
50. Za eventualne štamparske greške ne odgovaramo i unapred se izvinjavamo.

## **OPASNOST OD STRUJNOG UDARA!**



Zabranjeno rastavljati uređaj i njegove delove prepravljati! U slučaju bilo kojeg kvara ili oštećenja, odmah isključite uređaj i obratite se stručnom licu!





Ukoliko se ošteti priključni kabel, zamenu može da izvrši samo ovlašćeno lice uvoznika ili slična kvalifikovana osoba!



Značenje simbola koji se nalazi na proizvodu: **Zabranjeno prekrivati!**

Prekrivanje može da prouzrokuje pregrevanje, opasnost od požara, strujni udar!



**OVAJ DALJINSKI UPRAVLJAC NIJE IGRAČKA, NE DAVATI DECI DA SE IGRAJU SNJIM!!**

## PUŠTANJE U RAD, UGRADNJA, MONTAŽA NA ZID

1. Pažljivo odstranite ambalažu da ne bi oštetili uređaj ili priključni kabel. Oštećeni uređaj je zabranjeno koristiti!
2. Upotrebljivo isključivo u suvim zatvorenim prostorijama!
3. Montiranu konzolu sa zadnje strane demontirajte sa uređaja, izvadite dva šarafa sa strane i skinute konzolu.
4. U slučaju ugradnje uređaja:
  - a. Za ugradnju se smeju koristiti samo materijali otporni na toplotu koji na toplotu ne menjaju svoju strukturu pošto spoljni delovi proizvoda mogu biti vreli!
  - b. Proizvod se sme postaviti samo na čvrstu, ravnu, vodoravnu površinu bez prljavštine i prašine. Zabranjeno je postaviti na tepih i slične materijale!
  - c. Prema skici 2. uređaj terba da montira stručno lice! **Za rad treba obezbediti neprestano strujanje vazduha iza uređaja.** Uverite se da otvori sa zadnje i gornje strane za ulaz hladnog vazduha budu slobodni i da nisu ničim pokriveni.
5. U slučaju montaže da zid:
  - a. Prema skici 3. odaberite mesto montaže, konzolu naslonite na zid i obeležite rupe za tiple. Preporučena visina montaže od poda je 600 mm ali ne sme biti manja od 300 mm! Prilikom fiksiranja konzole obratite pažnju na nosivost zida na koji se konzola montira!
  - b. Nakon montaže konzole, proizvod nakačite na konzolu i fiksirajte proizvod za konzolu sa originalnim šarafima sa strane.
  - c. Uverite se da je proizvod stabilno montiran!
6. Uređaj tako postavite da priključni kabel bude uvek lako dostupan!
7. Glavni prekidač treba da je u isključenom (0) položaju!
8. Pazeći na polaritete u daljinski upravljač postavite 2 baterije AAA tipa (1,5V)!
9. Priključenje uređaja vršite samo u standardne zidne utičnice sa uzemljenjem! Na ovaj način priključen uređaj je spreman za rad.

## ČIŠĆENJE, ODRŽAVANJE

Radi optimalnog rada uređaja u zavisnosti od količine prljavštine uređaj treba redovito čistiti, najređe jedan put mesečno.

1. Pre čišćenja ispljučite uređaj i takođe je isključite iz zida!
2. Ostavite je da se ohladi (min. 30 minuta).
3. Mrežicu očistite usisivačem i četkom!
4. Vlažnom krpom očistite spoljašnji deo uređaja, ne koristite agresivna hemijska sredstva! Obratite pažnju da ništa ne ucuri u unutrašnjost uređaja!

## MOGUČE GREŠKE I RAZLOZI

Greška	Moguća rešenja za odklanjanje greške
uređaj ne greje	proverite mrežno napajanje proverite opisane o zaštiti od pregrevanja
ne funkcioniše efekat plamena	proverite mrežno napajanje
često se aktivira zaštita od pregrevanja	očistite uređaj
uređaj ne reaguje na daljinski upravljač	proverite baterije daljinskog upravljača

## ODLAGANJE



Uređaje kojima je istekao radni veka sakupljajte posebno, ne mešajte ih sa komunalnim otpadom, to oštećuje životnu sredinu i može da naruši zdravlje ljudi i životinja! Ovakvi se uređaji mogu predati na reciklažu u prodavnicama gde ste ih kupili ili prodavnicama koje prodaju slične proizvode. Elektronski otpad se može predati i određenim reciklažnim centrima. Ovim štítite okolinu, svoje zdravlje i zdravlje svojih sunarodnika. U slučaju nedoumice kontaktirajte vaše lokalne reciklažne centre. Prema važećim propisima prihvatamo i snosimo svu odgovornost.

## ODLAGANJE AKUMULATORA I BATERIJA

Istrošeni akumulatori i baterije ne smeju se tretirati sa ostalim otpadom iz domaćinstva. Korisnik treba da se stara o pravilnom bezbednom odlaganju istrošenih baterija i akumulatora. Ovako se može štítiti okolina, obezbediti da se baterije i akumulatori budu na pravilan način reciklirani.

## **GZ** VESTAVNÝ ELEKTRICKÝ KRB S EFEKTY

### DŮLEŽITÉ BEZPEČNOSTNÍ POKYNY

**TYTO POKYNY SI POZORNĚ PŘEČTĚTE A USCHOVEJTE PRO DALŠÍ POUŽITÍ!**

### UPOZORNĚNÍ

1. Před uvedením produktu do provozu si přečtěte návod k používání a pak si jej uschovejte. Původní popis byl vyhotoven v maďarském jazyce.
2. Tento přístroj mohou takové osoby, které disponují sníženými fyzickými, smyslovými nebo duševními schopnostmi, nebo které nemají dostatek zkušeností či znalostí, dále děti mladší 8 let, používat pouze v takovém případě, když se tak děje pod dohledem nebo jestliže byly náležitě poučeny o používání přístroje a pochopily nebezpečí spojená s používáním přístroje. Je zakázáno, aby si s přístrojem hrály děti. Čištění nebo údržbu přístroje mohou děti provádět výlučně pod dohledem **UPOZORNĚNÍ: Některé části tohoto přístroje mohou být horké a mohou způsobit popáleniny. Zvýšenou pozornost je třeba věnovat v případě, kdy jsou přítomné děti a nemohoucí osoby.**

3. Ujistěte se o tom, zda přístroj nebyl během přepravy poškozen!
4. Nepoužívejte zařízení, pokud bylo upuštěno!
5. Přístroj je dovoleno používat výhradně po instalaci na určené místo!
6. Přístroj smí instalovat výhradně odborně vyškolená osoba, a to s přihlédnutím k instalačním rozměrům uvedeným na schématu č. 3! Dodržujte aktuální bezpečnostní předpisy platné v dané zemi!
7. Přístroj je určen pouze k ohřívání vzduchu, není konstruován pro účely běžného vytápění.
8. Proudící teplý vzduch nesměřujte bezprostředně na záclony nebo na jiné hořlavé materiály! (vzdálenost min. 150 cm)
9. Kryt a sklo nacházející se v blízkosti otvoru pro odvádění teplého vzduchu mohou být horké!
10. Neumísťujte do blízkosti hořlavých látek! (vzdálenost min. 100 cm)
11. Přístroj je zakázáno používat v takovém prostředí, ve kterém se mohou uvolňovat hořlavé plyny nebo výbušný prach! Nepoužívejte v takovém prostředí, kde hrozí nebezpečí ohně nebo exploze!
12. Topné těleso je dovoleno používat jen pod neustálým dohledem!
13. Topné těleso je zakázáno používat bez dozoru v blízkosti dětí!
14. Určeno výhradně k používání v suchých interiérech! Chraňte před působením prostředí s vysokou relativní vlhkostí vzduchu (např. koupelna, bazén)!
15. Přístroj je **ZAKÁZÁNO** používat v blízkosti vany, umyvadla, sprchy, bazénu nebo sauny!
16. Nebudete-li přístroj delší dobu používat, vypněte jej a napájecí kabel vytáhněte ze zásuvky ve zdi!
17. Předtím, než budete s přístrojem manipulovat, jej vždy odpojte z elektrické sítě!
18. Přístroj je zakázáno umísťovat bezprostředně pod zásuvku elektrické sítě ve zdi!
19. Jestliže zjistíte jakoukoli anomálii (např. uslyšíte nestandardní zvuky nebo cítíte zápach spáleniny), přístroj okamžitě vypněte a odpojte z elektrické sítě!
20. Dbejte na to, aby se do přístroje prostřednictvím otvorů nedostaly žádné předměty ani tekutiny.
21. Abyste zabránili úrazu zasažením elektrickým proudem, dbejte na to, aby se přístroj nedostal do kontaktu s kapající nebo stříkající vodou, na přístroj nepokládejte předměty naplněné vodou, např. vázu!
22. Na horní část přístroje nepokládejte žádné předměty, protože by se z důvodu horké plochy mohly roztavit, rozžhavit nebo vzplanout, a způsobit tak požár nebo úraz zasažením elektrickým proudem!
23. Chraňte před prachem, vlhkem, slunečním zářením a působením bezprostředně sálajícího tepla!
24. Před čištěním přístroj odpojte z elektrické sítě vytažením napájecího kabelu ze zásuvky ve zdi!
25. Přístroje ani napájecího kabelu se nikdy nedotýkejte mokřkýma rukama!
26. Dovoleno je zapojovat pouze do uzemněné zásuvky elektrické sítě ve zdi s napětím 230V~/ 50Hz! Proudový obvod musí být chráněn přerušovačem 16 A.
27. Napájecí kabel odmotejte v celé délce!

28. Přístroj nezapojujte bezprostředně do elektrické sítě! Přístroj je dovoleno zapojovat výhradně s původní, uzemněnou zástrčkou!
29. Přístroj umístěte na takové místo, aby byl zajištěn snadný přístup k zástrčce a aby bylo možné napájecí kabel kdykoli snadno vytáhnout ze zásuvky!
30. K zapojování přístroje do elektrické sítě nepoužívejte prodlužovací kabel ani rozbočovač!
31. Napájecí kabel nepokládejte na přístroj, ani do blízkosti vstupních a výstupních otvorů vzduchu!
32. Nepokládejte napájecí kabel pod koberec, rohožku apod.!
33. Výměnu baterií smí provádět pouze dospělá osoba!
34. Při vkládání baterií dbejte na správnou polaritu!
35. Nikdy nepoužívejte současně baterie různých značek a/nebo baterie s různým stupněm nabití!
36. Po výměně baterií připevněte kryt schránky na baterie!
37. Pokud nebudete výrobek delší dobu používat, vyjměte baterii!
38. Pokud z baterií dojde k úniku kapaliny, nasadte si ochranné rukavice a vyčistěte bateriový prostor suchým hadříkem!
39. Vyjměte baterii, jakmile je vybitá!
40. Upozornění! Při nesprávné výměně baterie hrozí nebezpečí výbuchu! Nahrazujte pouze stejným nebo ekvivalentním typem!
41. Nevystavujte baterie účinkům přímého tepla nebo slunečního záření. Neotevírejte, nevhazujte do ohně ani je nezkratujte!
42. Nenabíjecí baterie je zakázané nabíjet! Nebezpečí výbuchu!
43. Nepoužívejte místo baterií nabíjecí baterie, protože napětí a výdrž je menší!
44. Nesvařujte ani nepájejte přímo k baterii!
45. Nepoužité baterie skladujte v jejich původním obalu a mimo kovové předměty. Již vybalené baterie nemíchejte ani neskladujte společně!
46. Napájecí kabel vždy pokládejte takovým způsobem, aby nebylo možné jeho náhodné vytáhnutí a aby nehrozilo nebezpečí zakopnutí o kabel!
47. Určeno pouze k používání pro soukromé účely, není dovoleno používat v průmyslových podmínkách!
48. Vzhledem k neustálým zlepšováním se mohou technické údaje a konstrukce měnit bez předchozího upozornění.
49. Aktuální uživatelskou příručku si můžete stáhnout z [www.somogyi.hu](http://www.somogyi.hu).
50. Neneseme zodpovědnost za případné chyby v tisku, omlouváme se.

## NEBEZPEČÍ ÚRAZU ELEKTRICKÝM PROUDEM!



Rozebírání a přestavba přístroje nebo jeho příslušenství je zakázáno! Při poškození kterékoliv části ihned odpojte ze sítě a vyhledejte odborníka!



Jestliže dojde k poškození přípojného síťového vodiče, výměnu je oprávněn provádět výhradně výrobce, servisní služba výrobce nebo podobně odborně vyškolená osoba!



Piktogram na přístroji znamená: **Zákaz zakrývání!**

Zakrytí může zapříčinit přehřátí, vznik nebezpečí požáru, úraz elektrickým proudem!



## DÁLKOVÝ OVLADAČ NENÍ HRAČKA A NEMĚL BY SE DOSTAT DO RUKOU DĚTÍ!

### UVEDENÍ DO PROVOZU, VESTAVBA, INSTALACE NA STĚNU

1. Před uvedením do provozu opatrně odstraňte veškerý obalový materiál tak, abyste nepoškodili přístroj nebo napájecí kabely. V případě jakéhokoli poškození je zakázáno přístroj uvádět do provozu!
2. Přístroj je určen k používání ve výhradně suchých interiérech!
3. K zadní části přístroje namontujte nástěnnou konzoli dodávanou v příslušenství. Za tímto účelem vyšroubujte na dvou stranách umístěné šrouby, potom vyklopte konzoli z otvorů v zadní části přístroje.
4. V případě zabudování přístroje:
  - a. K zabudování, vestavbě přístroje používejte výhradně takové materiály, které jsou tepelně odolné a nehořlavé, protože kryt přístroje se může během používání zahřívat!
  - b. Přístroj je dovoleno umísťovat výhradně na pevnou, vodorovnou plochu zbavenou prachu. Přístroj je zakázáno umísťovat na koberec nebo jiný podobný materiál!
  - c. Vestavbu přístroje smí provádět výhradně odborně vyškolená osoba, a to s přihlédnutím k rozměrům pro vestavbu, podle rozměrů uvedených na obrázku č. **Pro správný provoz je nutné zajistit volné proudění vzduchu směrem k zadní části přístroje.** Věnujte pozornost tomu, aby otvory určené ke vstupu studeného vzduchu nacházející se v zadní a horní části přístroje nebyly ničím zakryty.
5. V případě umístění přístroje na stěnu:
  - a. Podle vyobrazení na obrázku č. 3 zvolte místo umístění na stěně, potom konzoli přiložte ke zdi a vyznačte místa pro vyvrtání otvorů. Nemusíte dodržet doporučenou výšku 600 mm od podlahy, ale minimální výšku 300 mm od podlahy je zapotřebí dodržet! Konzole musí přiléhat ke stěně. Berte na zřetel nosnost dané stěny!
  - b. Po připevnění konzole přístroj zavěste na konzoli a konzoli zajistěte utažením dvou šroubů umístěných na obou stranách.
  - c. Zkontrolujte, zda je přístroj na stěně umístěný stabilně!
6. Přístroj umístěte tak, aby zástrčka napájecího kabelu byla vždy snadno přístupná a bylo ji možné snadno vytáhnout ze zásuvky ve zdi!
7. Spínač přístroje musí být v poloze vypnutého stavu (0)!
8. Do dálkového ovladače vložte 2 tužkové baterie typu AAA (1,5V). Věnujte pozornost správné polaritě!
9. Přístroj zapojte do standardní uzemněné zásuvky ve zdi! Nyní je přístroj připraven k používání.

### ČIŠTĚNÍ, ÚDRŽBA

Za účelem optimálního provozu přístroje je nutné v závislosti na stupni znečištění pravidelně, avšak alespoň jednou za měsíc, provádět čištění přístroje.

1. Před čištěním přístroj vypněte a potom odpojte z elektrické sítě vytažením ze zásuvky elektrické sítě!
2. Přístroj nechte vychladnout (min. 30 minut).

3. Vstupní (3) a výstupní (4) otvory vzduchu vyčistěte vysavačem!
4. Vnější povrch přístroje očistěte mírně navlhčenou utěrkou. Nepoužívejte agresivní čisticí prostředky! Do vnitřních částí přístroje, ani do elektrických dílů nesmí vniknout voda!

## ŘEŠENÍ PROBLÉMŮ

Přístroj se nezapíná v předem nastaveném čase	Regulace adaptivního zapínání je aktivní – nejedná se o závadu
Přístroj se nezapíná v předem nastaveném čase	Regulace adaptivního zapínání je aktivní – nejedná se o závadu
přístroj nevytápí	zkontrolujte zdroj síťového napětí zkontrolujte pokyny uvedené v části týkající se ochrany proti přehřátí
efekt plamene nefunguje	zkontrolujte zdroj síťového napětí
ochrana proti přehřátí se často aktivuje	přístroj vyčistěte
přístroj nereaguje na signály dálkového ovladače	zkontrolujte baterie v dálkovém ovladači

## LIKVIDACE



Přístroje, které již nebudete používat, shromažďujte zvlášť a tyto nevhazujte do běžného komunálního odpadu, protože mohou obsahovat látky nebezpečné pro životní prostředí nebo škodlivé lidskému zdraví! Nepotřebné nebo nepoužitelné přístroje můžete zdarma odevzdat v místě distribuce, respektive u všech takových distributorů, kteří se zabývají prodejem zařízení, která mají stejné parametry a funkci. Odevzdat můžete i na sběrných místech určených ke shromažďování elektronického odpadu. Tak chráníte životní prostředí, své zdraví a zdraví ostatních. V případě jakéhokoli dotazu kontaktujte místní organizaci zabývající se zpracováváním odpadu. Úlohy předepsané příslušnými právními předpisy vztahujícími se na výrobce vykonáváme a neseme s tímto spojené případné náklady.

## LIKVIDACE BATERIÍ A AKUMULÁTORŮ

S bateriemi / akumulátory se nesmí nakládat jako s běžným domovním odpadem. Zákonnou povinností uživatele je odevzdání upotřebených baterií / akumulátorů na určeném sběrném místě v bydlíšti nebo v prodejnách. Tím je zajištěno zneškodnění zbytků baterií / akumulátorů ekologickým způsobem.

## VAŽNE SIGURNOSNE UPUTE

PAŽLJIVO PROČITAJTE UPUTE PRIJE UPORABE I SAČUVAJTE IH ZA DALJNJU UPORABU!

## UPOZORENJA

1. Prije prve uporabe proizvoda, pročitajte upute za uporabu i zadržite ih za kasniju uporabu. Izvorne upute napisane su na mađarskom jeziku.
2. Djecu manju od 3 godine treba dalje držati od uređaja, izuzev, ako je osiguran njihov neprekidni nadzor. Djeca starija od 3, a mlađa od 8 godina mogu samo uključiti, odnosno isključiti uređaj, i to jedino u slučaju ako je uređaj postavljen i montiran u normalnu poziciju funkcioniranja, a osiguran je nadzor djece ili su djeca dobila upute o sigurnoj uporabi uređaja i svjesna su opasnosti koje mogu proisteci iz uporabe. Osobe sa smanjenom fizičkom, psihičkom ili osjećajnom sposobnošću, kojima nedostaje znanje i iskustvo, i starije od 8 godina, samo u tom slučaju mogu koristiti uređaj ukoliko to čine uz nadzor, ili su dobili upute za sigurno korištenje uređaja i razumiju opasnosti koje proizlaze iz uporabe uređaja. Djeca se ne smiju igrati s uređajem. Djeca mogu čistiti ili održavati uređaj samo u slučaju da ih nadzire odrasla osoba. **POZOR: Pojedini dijelovi uređaja mogu postati izuzetno vrel i mogu prouzrokovati opekline. Posebno treba paziti ukoliko su oko uređaja djeca ili osobe koje se ne mogu starati o sebi.**
3. Uvjerite se da se uređaj nije oštetiio tijekom transporta.
4. Uređaj se smije koristiti samo kada je ugrađen na svoje mjesto!
5. Uređaj smije ugraditi samo stručnjak, uzimajući u obzir ugradne dimenzije prikazane na slici 2! Pridržavajte se sigurnosnih propisa koji su na snazi u dotičnoj zemlji!
6. Uređaj je namijenjen samo za zagrijavanje zraka, a ne za opće potrebe grijanja.
7. Ne usmjeravajte vrući zrak koji izlazi izravno na zavjesu ili drugi zapaljivi materijal! (najmanji razmak 150 cm !)
8. Poklopac i staklo oko izlaza vrućeg zraka mogu biti vrući!
9. Ne stavljajte u blizinu zapaljivih materijala! (min. 100 cm)
10. Zabranjeno je koristiti na mjestima gdje se mogu osloboditi zapaljive pare ili eksplozivna prašina! Nemojte koristiti u zapaljivim ili eksplozivnim okruženjima!
11. Može se koristiti samo pod stalnim nadzorom!
12. Zabranjeno je koristiti u blizini djece bez nadzora!
13. Koristite samo u suhim zatvorenim uvjetima! Zaštite od vlažnog okruženja (npr kupaonica ili bazen)!
14. Ne koristite uređaj u blizini kade, umivaonika, tuša, bazena ili saune!
15. Ako ga ne koristite dulje vrijeme, isključite uređaj, a zatim izvucite kabel za napajanje.
16. Uvijek isključite grijač prije nego ga premjestite!
17. Ne postavljajte uređaj izravno ispod mrežne utičnice!
18. Ako primijetite bilo kakvu nenormalnost (npr. neuobičajenu buku iz uređaja ili gorući miris), odmah ga isključite i izvucite utikač!
19. Pazite da predmeti ili tekućine ne mogu ući u uređaj kroz otvore.



20. Kako biste smanjili rizik od strujnog udara, nemojte izlagati uređaj kapanju ili prskanju vode i ne stavljajte na uređaj predmete napunjene tekućinom, poput vaza!
21. Ne stavljajte nikakve predmete na uređaj, jer se oni mogu istopiti, ključati ili se zapaliti od vrućine, što može uzrokovati požar ili strujni udar!
22. Štite od prašine, vlage, sunčeve svjetlosti i izravne topline.
23. Prije čišćenja isključite proizvod iz zidne utičnice.
24. Nikada nemojte dodirivati uređaj i priključni kabel mokrim rukama!
25. Spojite samo na 230V ~ / 50 Hz uzemljenu zidnu utičnicu! Krug mora biti zaštićen prekidačem od 16 A.
26. Potpuno odmotajte spojni kabel!
27. Ne priključujte uređaj izravno na električnu mrežu! Može se spojiti samo s originalnim uzemljenim utikačem!
28. Postavite uređaj tako da je utikač lako dostupan i da se može jednostavno izvući.
29. Nemojte koristiti produžni kabel ili razdjelnik za spajanje uređaja.
30. Nemojte provoditi spojni kabel preko uređaja ili blizu ulaza i izlaza zraka!
31. Nemojte provoditi spojni kabel ispod tepiha, otirača itd.!
32. Spojni kabel provedite tako da se ne može ni slučajno izvući i da se niko ne može s potaknuti u njemu.
33. Baterije smije zamijeniti samo odrasla osoba!
34. Provjerite je li polaritet ispravan prilikom umetanja baterija.
35. Nemojte miješati baterije različitih marki i/ili mjera punjenja.
36. Nakon zamjene baterije, pričvrstite poklopac držača baterije.
37. Izvadite bateriju ako proizvod nećete koristiti dulje vrijeme.
38. Ako je iz njega iscurila tekućina, nosite zaštitne rukavice i očistite pretinac za baterije s uhom krpom.
39. Otklonite bateriju odmah nakon što se istroši.
40. Pažnja! Opasnost od eksplozije ako se baterija neispravno mjenja! Može se zamijeniti samo istom ili zamjenskom vrstom!
41. Ne izlažite baterije izravnoj toplini ili sunčevoj svjetlosti. Nemojte otvarati, bacati ili stvarati kratki spoj!
42. Zabranjeno je puniti nepunjive baterije! Opasnost od eksplozije!
43. Nemojte koristiti akumulator umjesto baterije, jer je njen napon i učinkovitost niži!
44. Nemojte zavarivati ili lemiti izravno na bateriju!
45. Neiskorištene baterije čuvajte u originalnom pakiranju i dalje od metalnih predmeta.
46. Nemojte miješati baterije koje su već raspakirane!
47. Dopuštena je samo privatna upotreba, industrijska ne!
48. Zbog stalnih poboljšanja, specifikacije i dizajn mogu se promijeniti bez prethodne najave.
49. Aktualne upute za uporabu mogu se preuzeti s web stranice [www.somogyi.hu](http://www.somogyi.hu).
50. Ne prihvaćamo nikakvu odgovornost za bilo kakve tipografske pogreške i ispričavamo se.

## OPASNOST OD STRUJNOG UDARA!



Zabranjeno je rastaviti, modificirati uređaj ili njegov pribor! U slučaju oštećenja bilo kog dijela proizvoda, odmah ga isključite iz struje i obratite se stručnoj osobi!



Ako se priključni kabel za struju ošteti, njegovu zamjenu može izvršiti isključivo proizvođač, njegov serviser ili stručna osoba koja je obučena na odgovarajući način!



Značenje piktograma na uređaju: Zabranjeno prekrivanje!

Prekrivanje uređaja može prouzrokovati pregrijavanje, vatru, strujni udar!



**DALJINSKI UPRAVLJAČ NIJE IGRAČKA, STOGA NE SMIJE DOSPJETI U RUKE DJECI!**

## PUŠTANJE U RAD, INSTALACIJA, ZIDNA MONTAŽA

1. Prije uporabe pažljivo uklonite ambalažni materijal kako biste izbjegli oštećenje uređaja ili spojnog kabela. Zabranjeno je pokretati ili koristiti u slučaju bilo kakvih oštećenja!
2. Uređaj se smije koristiti samo u suhim zatvorenim uvjetima!
3. Uklonite zidni nosač učvršćen na stražnju stranu uređaja. Da biste to učinili, odvrnite vijke koji ga pričvršćuju sa obje strane, a zatim nagnute nosač iz rupa na stražnjoj strani uređaja.
4. U slučaju ugradnje uređaja:
  - a. Za ugradnju koristite samo toplinski otporne, nezapaljive, netermoplastične materijale, jer se kućište uređaja tijekom rada može zagrijati!
  - b. Aparat se smije postaviti samo na čvrstu, vodoravnu površinu bez prašine. Nemojte stavljati na tepihe ili slične materijale!
  - c. Aparat smije ugraditi samo stručnjak, uzimajući u obzir ugradne dimenzije prikazane na slici 2! **Za rad, osigurajte da zrak slobodno struji prema stražnjoj strani jedinice.** Provjerite da ništa ne blokira ulaze hladnog zraka na stražnjoj i gornjoj strani jedinice.
5. Prilikom montaže proizvoda na zid:
  - a. Odaberite mjesto za zidnu montažu kao što je prikazano na slici 3, a zatim poravnajte nosač sa zidom kako biste označili mjesto rupa. Može odstupati od preporučene visine od 600 mm, ali visina iznad minimalne razine pada iznosi 300 mm! Ravnina nosača treba počivati na zidu. Uzmite u obzir nosivost zida!
  - b. Nakon što pričvrstite držač, zakačite uređaj za nosač, a zatim pričvrstite nosač premotavanjem dva originalna bočna vijka.
  - c. Provjerite da je uređaj stabilan na zidu!
6. Postavite uređaj tako da utikač bude lako dostupan i da se može jednostavno izvuci.
7. Glavni prekidač uređaja mora biti u isključenom (0) položaju!
8. Umetnite dve AAA (1,5V) baterije u daljinski upravljač. Provjerite da je polaritet ispravan.
9. Uključite uređaj u standardnu uzemljenu zidnu utičnicu. Uređaj je sada spreman za rad.

## ČIŠĆENJE, ODRŽAVANJE

Za optimalan rad uređaja, možda će biti potrebno čistiti uređaj učestalošću koja ovisi o stupnju zaprljanosti, ali barem jednom mjesečno.

1. Prije čišćenja isključite aparat i izvucite utikač iz utičnice.
2. Pustite da se aparat ohladi (min. 30 minuta).

3. Metalni štitnik očistite usisivačem i četkastim nastavkom.
4. Očistite vanjski dio uređaja blago vlažnom krpom. Nemojte koristiti agresivna sredstva za čišćenje! Voda ne smije dospjeti u uređaj ili na električne komponente!

## RJEŠAVANJE PROBLEMA

Kvar	Moguće rješenje kvara
uređaj ne grije	provjerite mrežno napajanje
	provjerite što je u opisu o pregrijavanju
efekt plamena ne radi	provjerite mrežno napajanje
zaštita od pregrijavanja se često aktivira	očistite uređaj
uređaj ne reaguje na signale s daljinskog upravljača	provjerite baterije daljinskog upravljača

## RASPOLAGANJE



Uređaji koji se odlažu u otpad se trebaju izdvojeno prikupljati, odvojeno od otpada iz kućanstva, jer mogu u sebi sadržati komponente koje su opasne po okoliš i ljudsko zdravlje! Korišteni ili uređaji koji se odlažu u otpad se besplatno mogu odnijeti na mjesto njihove distribucije, odnosno kod takvog distributera koji vrši prodaju uređaja istih karakteristika i funkcije. Mogu se odložiti i na deponijima koji su specijalizirani za odlaganje elektronskog otpada. Ovime Vi štite Vaš okoliš, Vaše i zdravlje drugih ljudi. Ukoliko imate pitanja, obratite se lokalnoj organizaciji za odlaganje otpada. Prihvaćamo na sebe zakonom određene obveze koje su propisane za proizvođače i sve troškove koji su u vezi s tim.

## NEUTRALIZACIJA BATERIJA, AKUMULATORA

Baterije i akumulatore treba izdvojeno tretirati od smeća iz kućanstva. Korisnik je zakonom obavezan korištene i ispražnjene baterije i akumulatore dostaviti na deponije za otpad ili ih odnijeti do njihovog prodavatelja. Na ovaj način se osigurava njihova pravilna neutralizacija.

## **EN BUILT-IN ELECTRIC FIREPLACE**

### **FEATURES**

Built-in fancy electric fireplace with built-in fan heater for the heating of indoor air heating • built-in energy-saving LED light source • realistic glowing log and flame effect for independent use • selectable flame colour • selectable heating levels (1000W / 2000W) • electronic thermostat • weekly program • adaptive switch-on control • overheating protection • remote controller

### **OPERATION**

The appliance may be controlled by using either the integrated touch buttons or the remote controller. The housing and glass around the hot air outlet may become hot. Always touch the switches on the appliance from the front, do not cross the escaping hot air with your hands. When switching on the unit for the first time, you may smell a slight odour, which is a natural phenomenon. It is harmless and goes away quickly.

Tilt the main switch (8) into position I (on), and the unit will beep shortly.

Use the I/O touch **button on the front** of the appliance to turn it on or off. When the unit is switched on, only the flame effect starts up first without heating. You can switch on the built-in fan heater in two steps, at 1000W or 2000W output, using the touch buttons on the front of the appliance (5). Use the same buttons to switch off the current heating level. You can switch off the appliance at any time using the I/O button.

Use the flame colour selection button (6) on the front of the appliance to select the colour of the flame effect.

The function of the on/off button (11) on **the remote controller** is the same as that of the I/O button on the unit. You can use the 1000W and 2000W buttons (15 and 16) on the remote controller to switch on or off the relevant heating level. You can check the selected heating level on the unit. Use the "+" and "-" button on the remote controller to set the desired temperature between 15°C and 30°C. The function of the COLOR button (17) on the remote controller is the same as that of the flame colour touch button on the front of the unit.

**To set the date and time**, turn on the unit with the on/off button (11) on the remote controller, then press the DATE/TIME button (12). First, select the day by pressing the "▲" or "▼" symbol on the remote control selector button (13). Press the DATE/TIME button (12) again, then set the hour using the "+" or "-" symbol on the selector button. Press the DATE/TIME button (12) again, then set the minutes using the "+" or "-" symbols on the selector button. Press the "OK" symbol on the selector button (13) to save the set time.

SUN	MON	TUE	WED	THU	FRI	SAT
Sunday	Monday	Tuesday	Wednesday	Thursday	Friday	Saturday

**For automatic heating level control**, press the IC button (14) on the remote controller. If the "AUTO" (26) text appears on the product display, it means that automatic heating level selection has been activated. Now, the appliance will automatically select the heating level depending on the room temperature and the set temperature.

Press the "+" or "-" symbol (13) on the remote controller selector button to set the desired temperature. Press the "+" button to increase, or the "-" button to decrease the desired temperature between 15°C and 30°C.

You can deactivate this function by pressing the IC button (14) on the remote controller again, which will make the AUTO text (26) disappear from the display.

### **Timer function, adaptive on/off control**

The appliance can store 9 programs at a time, and the on and off time can be individually set for each program. The maximum duration of each program is 23 hours and 50 minutes.

The product features adaptive on/off control, whereby it can to pre-determine the optimum time to start the heat-up process and start the heating process, so that the set temperature can be reached by the desired time.

### **Set the timing**

1. Press the TIMER SET button on the remote control (20)
2. Use the "+" or "-" symbols on the selector button (13) to select the desired program number (22)
3. Press the TIMER SET button on the remote control again (20)
4. Use the "▲" or "▼" symbols of the selector button (13) to move the cursor (28) to the desired day (29) and press the "+" symbol to select it. Press "-" to remove previously selected days
5. Press the TIMER SET button on the remote control again (18)

6. Use the "+" or "-" symbols of the selector button (13) to select the switch on time (hours) (25)
7. Press the TIMER SET button on the remote control again (20)
8. Use the "+" or "-" symbols on the selector button (13) to select the switch on time (minutes) (25)
9. Press the TIMER SET button on the remote control again (20). The display will show "OFF" (23)
10. Use the "+" or "-" symbols on the selector button (13) to select the turn-off time (hours) (25)
11. Press the TIMER SET button on the remote control again (20)
12. Use the "+" or "-" symbols of the multi selector (13) to select the time off (minutes) (25)
13. Press the TIMER SET button on the remote control again (20)
14. Use the "+" or "-" symbols on the selector button (13) to select the desired temperature (22)
15. Press the selector button (13) to save the program by pressing the OK button.
16. Use the TIMER ON / OFF button (18) on the remote control to activate the timer function. When activated, the display shows the timer indication (30).

#### List of scheduled timings

1. Press the TIMER SET button on the remote control (20).
2. Use the "+" or "-" symbols on the selector button (11) to see the switch on times assigned to each program
3. To display the turn-off dates, press the ▲ symbol on the selector button (13), then use the "+" or "-" buttons to view the switch off times assigned to each program
4. Press C on the remote control (19) to cancel each program

The built-in energy-saving, electronically controlled LED light source does not require replacement, cannot be replaced.

In the event of overheating, the **overheating protection function** will switch the appliance off, for example when the air inlets and outlets are covered. Power off the unit by unplugging it from the electric outlet. Allow the appliance to cool (for at least 30 minutes). Check whether the air inlets and outlets are obstructed or not, and clean them if necessary. Install the unit again. If the overheating protection activates again, power off the unit by unplugging it from the electric outlet and contact the service facility!

#### TECHNICAL SPECIFICATION

power supply: .....	230 V~/50 Hz
heating output [SSS]: .....	1000 W/2000 W
LED lighting (not replaceable): .....	13 W
maximal output: .....	2013 W
IP protection: .....	IP20: It is not protected against ingress of water!
dimensions of heater: .....	91.5 x 45 x 17cm
weight: .....	16 kg

## **H** BEÉPÍTHETŐ ELEKTROMOS LÁTVÁNYKANDALLÓ

### JELLEMZŐK

Beépíthető elektromos látványkandalló, beépített ventilátoros fűtőtesttel, beltéri helyiségek levegőjének felmelegítésére • beépített energiatakarékos LED fényforrás • önállóan is használható, valóságú izzó farönk és lángeffekt • választható lángszín • kapcsolható fűtési fokozatok (1000 W / 2000 W) • elektronikus termosztát • heti program • adaptív bekapcsolásszabályozás • túlmelegedés elleni védelem • távirányító

### ÜZEMELTETÉS

A készülék a rajta levő érintőgombokkal, vagy távirányítóval vezérelhető. A meleg levegő kivezető nyílás körül a burkolat és az üveg forró lehet! A készülék csatlóíhoz szemből nyúljon hozzá, kezével ne keresztezze a kiáramló meleg levegőt, mert az forró lehet. Első bekapcsoláskor enyhe szagot érezhet, ami természetes jelenség. Veszélytelen és hamar elillan.

A főkapcsolót (8) billentse I (be) állásba, ekkor a készülék röviden szipol.

A **készülék elején** lévő I/O érintőgombbal be- és kikapcsolhatja a készüléket. Bekapcsoláskor először csak a lángeffekt kezd működni, fűtés nélkül. A beépített ventilátoros fűtést két fokozatban kapcsolhatja be, a 1000 W vagy 2000 W teljesítményen, a készülék elején található érintőgombokkal (5.). Ugyanezen gombok ismételt megnyomásával ki is kapcsolhatja az aktuális fűtési fokozatot. A készüléket bármikor kikapcsolhatja az I/O nyomógombbal.

A készülék elején található, lángszín választó érintőgombbal (6.) kiválaszthatja a láng effektus színét.

A **távirányítón** lévő be-, kikapcsoló gomb (11.) funkciója megegyezik a készülék I/O gombjának funkciójával. A távirányító 1000 W és 2000 W gombjaival (15. és 16.) be –és kikapcsolhatja a gombhoz tartozó fűtési fokozatot. A kiválasztott fokozatot a készüléken tudja

ellenőrizni. A távirányító „+”, illetve „-” gombja segítségével állíthatja be a kívánt hőmérsékletet, 15 °C és 30 °C közti tartományban. A távirányító COLOR (17.) gombjának funkciója megegyezik a készülék elején található, lángszin érintőgomb funkciójával.

**Dátum és idő beállításához** kapcsolja be a készüléket a távirányító be-, kikapcsoló gombjával (11.), majd nyomja meg a DATE/TIME gombot (12.). Először válassza ki a napot a távirányító választógombján (13.) található „▲”, illetve „▼” szimbólumok megnyomásával. Nyomja meg ismét a DATE/TIME gombot (12.), majd állítsa be az órát a választógomb „+”, illetve „-” gombja segítségével. Nyomja meg ismét a DATE/TIME gombot (12.), majd állítsa be a percet a választógomb „+”, illetve „-” gombja segítségével. A választógomb (13.) „OK” szimbólumának megnyomásával tárolja el a beállított időt.

SUN	MON	TUE	WED	THU	FRI	SAT
Vasárnap	Hétfő	Kedd	Szerda	Csütörtök	Péntek	Szombat

**Automatikus fűtésszabályzáshoz** nyomja meg a távirányító IC nyomógombját (14.). Amennyiben a termék kijelzőjén megjelent az „AUTO” felirat (26.), úgy az automata fűtési fokozatválasztás be van kapcsolva. Ekkor a készülék a szoba hőmérsékletétől és a beállított hőmérséklettől függően, automatikusan választja ki a fűtési fokozatot. A kívánt hőmérséklet beállításához nyomja meg a távirányító választógombján (13.) a „+”, illetve a „-” szimbólumot. A „+” gomb megnyomásával növelheti, a „-” gomb megnyomásával csökkentheti a kívánt hőmérsékletet, 15 °C és 30 °C közti tartományban.

A távirányító IC gombjának (14.) ismételt megnyomásával kapcsolhatja ki a funkciót, ekkor a kijelzőn az AUTO felirat (26.) nem olvasható.

### Időzítő funkció, adaptív bekapcsolás szabályozás

A készülék 9 programot képes egyszerre tárolni, minden programnál beállítható a be-, illetve kikapcsolás időpontja. Az egyes programok beállítható maximális hossza 23 óra és 50 perc.

A termék adaptív bekapcsolás szabályozással rendelkezik, képes előre meghatározni a melegedési folyamat megkezdésének optimális időpontját és beindítani a fűtési folyamatot annak érdekében, hogy a kívánt időpontra elérje a beállított hőmérsékletet.

### Időzítés beállítása

1. Nyomja meg a távirányító TIMER SET gombját (20.)
2. A választógomb (13.) „+”, illetve „-” szimbólumai segítségével válassza ki a beállítani kívánt program sorszámát (22.)
3. Nyomja meg ismét a távirányító TIMER SET gombját (20.)
4. A választógomb (13.) „▲”, illetve „▼” szimbólumai segítségével állítsa a kurzort (28.) a kívánt napra (29.), majd a „+” szimbólum megnyomásával tudja azt kiválasztani. A „-” szimbólum megnyomásával tudja a korábban kiválasztott napokat eltávolítani
5. Nyomja meg ismét a távirányító TIMER SET gombját (20.)
6. A választógomb (13.) „+”, illetve „-” szimbólumai segítségével válassza ki a bekapcsolás idejét (óra) (25.)
7. Nyomja meg ismét a távirányító TIMER SET gombját (20.)
8. A választógomb (13.) „+”, illetve „-” szimbólumai segítségével válassza ki a bekapcsolás idejét (perc) (25.)
9. Nyomja meg ismét a távirányító TIMER SET gombját (20.). A kijelzőn „OFF” feliratot fog látni (23.)
10. A választógomb (13.) „+”, illetve „-” szimbólumai segítségével válassza ki a kikapcsolás idejét (óra) (25.)
11. Nyomja meg ismét a távirányító TIMER SET gombját (20.)
12. A választógomb (13.) „+”, illetve „-” szimbólumai segítségével válassza ki a kikapcsolás idejét (perc) (25.)
13. Nyomja meg ismét a távirányító TIMER SET gombját (20.)
14. A választógomb (13.) „+”, illetve „-” szimbólumai segítségével válassza ki a kívánt hőmérsékletet (22.)
15. A választógomb (13.) „OK” feliratának megnyomásával tárolhatja el a programot.
16. A távirányító TIMER ON/OFF gombjával (18.) aktiválhatja az időzítő funkciót. Bekapcsolása esetén a kijelzőn megjelenik az időzítő visszajelzése (30.).

### Beállított időzítések listázása

1. Nyomja meg a távirányító TIMER SET gombját (20.)
2. A választógomb (13.) „+”, illetve „-” szimbólumai segítségével megnézheti az egyes programokhoz rendelt bekapcsolási időpontokat
3. A kikapcsolási időpontok listázásához nyomja meg a választógomb (13.) „▲” szimbólumát, majd a „+”, illetve „-” szimbólumok segítségével megnézheti az egyes programokhoz rendelt kikapcsolási időpontokat
4. A távirányító C gombjának (19.) megnyomásával törölheti az egyes programokat

A beépített energiatakarékos, elektronikusan vezérelt LED fényforrás nem igényel cserét, nem cserélhető.

**A túlmelegedés elleni védelem** túlmelegedés esetén kikapcsolja a készüléket, pl. a levegő be- és kivezető nyílások letakarásakor. Áramtalanítsa a készüléket a csatlakozódugó kihúzásával. Hagyja lehűlni a készüléket (min. 30 perc). Ellenőrizze, szabadok-e a levegő be- és kivezető nyílások; ha kell, tisztítsa meg. Ismét helyezze üzembe a készüléket. Ha a túlmelegedés elleni védelem ekkor is aktiválódik, áramtalanítsa a készüléket a csatlakozódugó kihúzásával és forduljon szakszervizhez.

## MŰSZAKI ADATOK

tápellátás: .....	230 V~/50 Hz
fűtési teljesítmény [SSS]: .....	1000 W/2000 W
LED világítás (nem cserélhető): .....	13 W
maximális teljesítmény: .....	2013 W
IP védettség: .....	IP20: Víz behatolása ellen nem védett!
fűtőtest mérete: .....	91.5 x 45 x 17cm
tömege: .....	16 kg

## **SK** ZABUDOVATEĽNÝ ELEKTRICKÝ KRB

### CHARAKTERISTIKA

Zabudovateľný elektrický krb so zabudovaným ventilátorovým ohrievačom na ohrievanie vnútorných priestorov • zabudovaný úsporný LED zdroj svetla • samostatné zapnutie plameňového efektu, efekt žeravých polien • nastaviteľná farba plameňa • nastaviteľné stupne ohrievania (1000 W / 2000 W) • elektronický termostat • týždenný program • adaptívna regulácia zapnutia • ochrana proti prehriatiu • diaľkový ovládač

### PREVÁDZKA PRÍSTROJA

Prístroj môžete ovládať pomocou dotykových tlačidiel alebo diaľkového ovládača. Kryt a sklo okolo otvoru výstupu teplého vzduchu môže byť horúci! Tlačidlá prístroja stláčajte postavením sa oproti, rukou neprechádzajte krížom pred výstupom teplého vzduchu, lebo vzduch môže byť horúci. Po prvom zapnutí prístroja môžete cítiť mierny zápach, ktorý je prirodzeným javom. Nie je nebezpečný a rýchlo sa odparí.

Hlavný spínač (8) stlačte do polohy I (zapnutia), vtedy prístroj krátko pípne.

Dotykovým tlačidlom I/O na prednej časti prístroja môžete za- / vypnúť zariadenie. Po zapnutí funguje najprv len plameňový efekt, bez ohrievania. Zabudované ventilátorové ohrievanie sa dá zapnúť v 2 stupňoch 1000 W alebo 2000 W pomocou dotykových tlačidiel (5) na prednej časti prístroja. Stlačením tých istých tlačidiel môžete vypnúť aktuálny ohrievací stupeň. Prístroj hocikeď môžete vypnúť tlačidlom I/O.

Dotykovým tlačidlom (6) pre výber farby plameňa môžete vybrať farbu plameňového efektu.

Na diaľkovom ovládači funkcia tlačidla za- / vypnutia (11) je totožná s funkciou tlačidla I/O na prístroji. Tlačidlami 1000 W a 2000 W (15 a 16) na diaľkovom ovládači sa za-/vypína k tlačidlu patriaci stupeň ohrievania. Zvolený stupeň sa dá skontrolovať na prístroji. Pomocou tlačidla „+“, resp. „-“ môžete nastaviť želanú teplotu, v rozsahu medzi 15 °C a 30 °C. Tlačidlom COLOR (17) môžete nastaviť farbu plameňového efektu.

Na nastavenie dátumu a času zapnite prístroj pomocou za- / vypínača (11) na diaľkovom ovládači, potom stlačte tlačidlo DATE/TIME (12). Najprv vyberte deň pomocou tlačidla (13) na diaľkovom ovládači, stlačením symbolov „▲“, resp. „▼“. Opäť stlačte tlačidlo DATE/TIME (12), potom nastavte hodiny pomocou tlačidiel „+“, resp. „-“. Opäť stlačte tlačidlo DATE/TIME (12), potom nastavte minúty pomocou tlačidiel „+“, resp. „-“. Stlačením symbolu „OK“ (13) uložíte nastavený čas.

SUN	MON	TUE	WED	THU	FRI	SAT
Nedeľa	Pondelok	Utorok	Streda	Štvrtok	Piatok	Sobota

Pre automatickú reguláciu ohrievania stlačte tlačidlo (14.) na diaľkovom ovládači. Ak sa na displeji prístroja zobrazí „AUTO“ (26.), je aktivovaný automatický výber stupňa ohrievania. Teraz prístroj automaticky nastaví stupeň ohrievania podľa izbovej teploty a nastavenej teploty. Stlačením symbolu „+“ alebo „-“ na tlačidlo (13.) diaľkového ovládača nastavte požadovanú teplotu. Stlačením tlačidla „+“ zvýšite, stlačením tlačidla „-“ znížite požadovanú teplotu medzi 15 °C a 30 °C. Funkciu môžete deaktivovať opätovným stlačením tlačidla IC (14.) na diaľkovom ovládači, na displeji sa nezobrazí AUTO (26.).

### Funkcia časovača, adaptívna regulácia zapnutia

Do pamäte prístroja môžete uložiť naraz 9 programov, pri každom programe môžete nastaviť čas za- a vypnutia. Maximálna dĺžka jedného programu môže byť 23 hodín a 50 minút.

Prístroj má adaptívnu reguláciu zapnutia, ktorá je schopná vopred určiť optimálny čas spustenia procesu ohrevu a spustenia ohrievania, aby sa dosiahla nastavená teplota v požadovanom čase.

### Nastavenie časovača

1. Na diaľkovom ovládači stlačte tlačidlo TIMER SET (20).
2. Pomocou symbolov „+“, resp. „-“ tlačidla (13) na diaľkovom ovládači vyberte poradové číslo želaného programu (22).
3. Na diaľkovom ovládači stlačte opäť tlačidlo TIMER SET (20).



- Pomocou symbolov „▲”, resp. „▼” tlačidla (13) na diaľkovom ovládači nastavte kurzor (28) na vybraný deň (29), a vyberte ho stlačením symbolu „+”. Stlačením symbolu „-” môžete vybrané dni odstrániť.
- Na diaľkovom ovládači stlačte opäť tlačidlo TIMER SET (20).
- Pomocou symbolov „+”, resp. „-” tlačidla (13) na diaľkovom ovládači vyberte čas (hodinu) zapnutia (25).
- Na diaľkovom ovládači stlačte opäť tlačidlo TIMER SET (20).
- Pomocou symbolov „+”, resp. „-” tlačidla (13) na diaľkovom ovládači vyberte čas (minútu) zapnutia (25).
- Na diaľkovom ovládači stlačte opäť tlačidlo TIMER SET (20). Na displeji budete vidieť nápis „OFF” (23).
- Pomocou symbolov „+”, resp. „-” tlačidla (13) na diaľkovom ovládači vyberte čas (hodinu) vypnutia (25).
- Na diaľkovom ovládači stlačte opäť tlačidlo TIMER SET (20).
- Pomocou symbolov „+”, resp. „-” tlačidla (13) na diaľkovom ovládači vyberte čas (minútu) vypnutia (25).
- Na diaľkovom ovládači stlačte opäť tlačidlo TIMER SET (20).
- Pomocou symbolov „+”, resp. „-” tlačidla (13) na diaľkovom ovládači vyberte želanú teplotu (22).
- Stlačením symbolu „OK” (tlačidlo 13) uložíte nastavený čas.
- Pomocou tlačidla TIMER ON/OFF (18) na diaľkovom ovládači môžete aktivovať funkciu časovača. V prípade zapnutia funkcie objaví sa na displeji zobrazenie časovača (30).

### Zoznam nastavených načasovaní

- Stlačte tlačidlo TIMER SET (20) na diaľkovom ovládači.
- Pomocou symbolov „+”, resp. „-” tlačidla (13) môžete pozrieť časy zapnutia jednotlivých programov.
- Na zobrazenie zoznamu časov vypnutia stlačte symbol „▲” tlačidla (13), potom pomocou symbolov „+”, resp. „-” môžete pozrieť časy vypnutia jednotlivých programov.
- Stlačením tlačidla C (19) na diaľkovom ovládači môžete vymazať jednotlivé programy.

Zabudované, energeticky úsporné a elektricky ovládateľné LED svietidlo netreba vymeniť, nedá sa vymeniť.

**Ochrana proti prehriatiu** vypne prístroj v prípade prehriatia prístroja, napr. pri zakrytí vstupného alebo výstupného otvoru vzduchu. Prístroj odpojte od elektrickej siete vytiahnutím z elektrickej zásuvky. Nechajte prístroj vychladnúť (min. 30 minút). Skontrolujte otvory vstupu a výstupu vzduchu; v prípade potreby ich vyčistite. Potom prístroj znovu zapnite. Ak sa aj potom aktivuje ochrana proti prehriatiu, odpojte prístroj z elektrickej siete vytiahnutím zo zásuvky a obráťte sa na odborný servis.

### TECHNICKÉ ÚDAJE

napájanie: .....	230 V~50 Hz
výkon ohrievania [SSS]: .....	1000 W/2000 W
LED osvetlenie (nedá sa vymeniť): .....	13 W
maximálny výkon .....	2013 W
IP ochrana: .....	IP20: Prístroj nie je chránený proti vniknutiu vody!
rozmery ohrievača: .....	91.5 x 45 x 17cm
hmotnosť: .....	16 kg

## **RO** ȘEMINEU ELECTRIC, ÎNCORPORABIL

### CARACTERISTICI

Șemineu electric, poate fi încadrat cu radiator cu ventilator încorporat, pentru încălzirea aerului din spațiile interioare ● sursă de lumină LED, economică ● utilizabil și individual, efect de buștean jar și de flacără reală ● culoarea flăcării poate fi selectată ● trepte de încălzire cuplabile (1000 W / 2000 W) ● termostat electronic ● program săptămânal ● control adaptiv de pornire ● protecție la supraîncălzire ● cu telecomandă

### OPERARE

Aparatul poate fi acționat cu ajutorul butoanelor tactile sau cu telecomanda. În jurul orificiului de evacuare al aerului cald carcasa și sticla pot fi fierbinți! Atingeți grilajul rabatabil doar în dreptul butoanelor. Atingeți comutatoarele aparatului din față, astfel încât să nu traversați cu mâinile aerul cald evacuat, deoarece acesta poate fi fierbinte. La prima utilizare puteți simți un miros slab, dar acest fenomen este firesc. Mirosul este inofensiv și se evaporă repede.

Acționați comutatorul principal (8) pe poziția "I" (pornire); aparatul va scoate un sunet scurt. Cu ajutorul butonului tactil **1/6fiat pe partea frontală a aparatului** puteți porni/opri aparatul. La pornirea aparatului, doar efectul de flacără va funcționa, fără încălzire. Dacă țineți butonul I/O apăsat, puteți regla luminozitatea efectului de flacără în 5 trepte. Radiatorul cu ventilator se poate cupla în două trepte, cu butoanele tactile aflate pe partea frontală a aparatului de 1000 W, respectiv de 2000 W. Prin apăsarea repetată a acestor butoane se poate cupla, respectiv decupla treapta de încălzire. Încălzirea se poate oricând opri prin apăsarea butonului I/O. Puteți selecta culoarea efectului de flacără cu ajutorul butonului de selectare a culorii flăcării (6.) de pe partea frontală a aparatului.

Funcția butonului de pornire/oprire (11) de pe **telecomandă** este identică cu funcția butonului I/O. Cu butoanele 1000 W și 2000 W (15 și 16) se poate cupla puterea de încălzire aferentă. Puterea selectată se poate verifica pe ecranul aparatului. Cu ajutorul butoanelor „+”, respectiv „-” puteți seta temperatura dorită, în intervalul de 15 °C și 30 °C. Funcția COLOR (17) corespunde funcției butonului tactil culoarea flăcării, de pe partea frontală a dispozitivului.

**Pentru setarea datei și orei exacte** porniți aparatul cu butonul de pornire/oprire (11) de pe telecomandă, apoi apăsați butonul DATE/TIME (12). Prima dată selectați ziua cu ajutorul butoanelor de selecție „▲”, respectiv „▼” (13) de pe telecomandă. Apăsați din nou butonul DATE/TIME (12) și setați ora exactă cu simbolurile „+”, respectiv „-” de pe butonul selector. Apăsați din nou butonul DATE/TIME (12), apoi setați și minutele cu ajutorul butoanelor „+”, respectiv „-”. Prin apăsarea simbolului „OK” de pe butonul de selecție (13) puteți salva setările orei exacte.

SUN	MON	TUE	WED	THU	FRI	SAT
Duminică	Luni	Marți	Miercuri	Joi	Vineri	Sâmbătă

**Pentru controlul automat al încălzirii** apăsați butonul IC de pe telecomandă (14.). Dacă pe afișajul produsului apare „AUTO” (26.), este activată selecția automată a încălzirii. Aparatul va porni în funcție de temperatura camerei și de valoarea setată a temperaturii camerei, selectând automat nivelul de încălzire. Pentru a seta temperatura dorită, apăsați simbolul „+” sau „-” de pe butonul selector al telecomenzii (13). Apăsați butonul „+” pentru a crește temperatura dorită între 15 °C și 30 °C, iar butonul „-” pentru a o reduce. Funcția poate fi dezactivată prin apăsarea repetată a butonului IC (14) de pe telecomandă, iar pe afișaj nu va mai apărea AUTO (26).

### Funcție temporizator, control adaptiv de pornire

Aparatul poate memora 9 programe, prin care se pot seta timpii de pornire, respectiv de oprire. Durata maximă a fiecărui program este de 23 ore și 50 minute.

Produsul dispune de un control adaptiv de pornire, capabil să pre-determine momentul optim de pornire a procesului de încălzire și să pornească procesul de încălzire pentru a atinge temperatura setată la momentul dorit.

### Setare temporizare

1. Apăsați butonul TIMER SET de pe telecomandă (20)
2. Cu ajutorul butonului selector (13), prin apăsarea simbolurilor „+”, respectiv „-” selectați numărul de ordine al programului (22) pe care doriți să-l setați
3. Apăsați din nou butonul TIMER SET al telecomenzii (20)
4. Cu ajutorul butonului selector (13), prin apăsarea simbolurilor „▲”, respectiv „▼” mutați cursorul (28) pe ziua dorită (29), apoi prin apăsarea simbolului „+” selectați-o. Prin apăsarea simbolului „-” puteți șterge zilele selectate anterior
5. Apăsați din nou butonul TIMER SET al telecomenzii (20)
6. Cu ajutorul butonului selector (13), prin apăsarea simbolurilor „+”, respectiv „-” selectați timpul (ora) pentru pornire (25)
7. Apăsați din nou butonul TIMER SET al telecomenzii (20)
8. Cu ajutorul butonului selector (13), prin apăsarea simbolurilor „+”, respectiv „-” selectați timpul (minutele) pentru pornire (25)
9. Apăsați din nou butonul TIMER SET al telecomenzii (20). Pe ecran apare textul „OFF” (23)
10. Cu ajutorul butonului selector (13), prin apăsarea simbolurilor „+”, respectiv „-” selectați timpul (ora) pentru oprire (25)
11. Apăsați din nou butonul TIMER SET al telecomenzii (20)
12. Cu ajutorul butonului selector (13), prin apăsarea simbolurilor „+”, respectiv „-” selectați timpul (minutele) pentru oprire (25)
13. Apăsați din nou butonul TIMER SET al telecomenzii (20)
14. Cu ajutorul butonului selector (13), prin apăsarea simbolurilor „+”, respectiv „-” selectați temperatura (22) dorită.
15. Prin apăsarea simbolului „OK” de pe butonul selector (13) puteți salva programul setat.
16. Cu butonul TIMER ON/OFF al telecomenzii (18) puteți activa funcția de temporizator. În cazul activării, pe ecran se va afișa cronometrul temporizatorului (30).

### Listarea temporizărilor setate

1. Apăsați butonul TIMER SET de pe telecomandă (20)
2. Cu ajutorul butonului selector (13), prin apăsarea simbolurilor „+”, respectiv „-” puteți vizualiza timpul setat de pornire la programele salvate
3. Pentru vizualizarea în formă de listă a timpilor de oprire setați, apăsați simbolul (13) „▲” de pe butonul selector și prin apăsarea simbolurilor „+”, respectiv „-” puteți să pășiți între aceștia
4. Prin apăsarea butonului C al telecomenzii (19) puteți șterge programele.

Sursa de lumină LED încorporată este economică, reglată electronic și nu necesită schimbare, nu se poate schimba.

**Protecția împotriva supraîncălzirii** oprește funcționarea aparatului, de ex. în cazul acoperirii orificiilor de intrare sau evacuare a aerului. Scoateți de sub tensiune aparatul prin scoaterea fișei din priză. Lăsați aparatul să se răcească (min. 30 minute). Verificați dacă orificiile de intrare și evacuare a aerului sunt libere; dacă este necesar aceste orificii trebuie curățate. Dacă protecția la supraîncălzire se activează și astfel, scoateți aparatul de sub tensiune prin îndepărtarea fișei cablului de alimentare din priză și apelați la un specialist.

## DATE TEHNICE

alimentare: .....	230 V~/50 Hz
putere de încălzire [SSS]: .....	1000 W/2000 W
lumină LED (nu poate fi schimbată): .....	13 W
putere maximă: .....	2013 W
protecție IP: .....	IP20: Nu oferă protecție împotriva pătrunderii apei!
dimensiune unitate de încălzire: .....	91.5 x 45 x 17cm
greutate: .....	16 kg

## **SRB** **MNE** **UGRADNI ELEKTRIČNI KAMIN**

### OSOBI NE

- Ugradivi električni kamin sa ventilatorskim grejanjem za zagrevanje vazduha zatvorenih prostorija
- ugrađeni LED izvor svetlosti
- zaseban rad efekta plamena i žarućeg drveta
- odabir boje plamena
- 2 režima rada grejanja (1000 W / 2000 W)
- elektronski termostat
- nedeljni programi
- adaptivni automatski režim rada
- zaštita od pregrevanja
- daljinski upravljač

### PUŠTANJE U RAD

Uređaj se može kontrolisati tasterima na kontrolnoj ploči ili daljinskim upravljačem. Mrežica i staklo na otvoru za topao vazduh može da bude vrelo! Mrežicu ispred tastera i otvora za izlaz toplog vazduha držite samo gde su tasteri, ostala mesta rešetke mogu biti vrela. Prekidajući se približavajte sa prednje strane, nemojte ukrštati rukama otvor za izlaz toplog vazduha, to može biti vrelo. Prilikom prvog uključivanja može se osetiti blagi neugodan miris, to je normalna pojava. Nije opasan i brzo nestaje.

Glavni prekidač (8) postavite u poziciju I (uključen), posle čega se čuje kratko pištanje.

Sa tasterom na **prednjem delu uređaja** I/O možete vršiti uključivanje i isključenje uređaja.

Posle uključivanja radi samo svetlosni vizuelni efekat plamena bez grejanja. Ugrađeno dvostepeno ventilatorsko grejanje snage 1000 W i 2000 W možete uključiti pritiskom odgovarajućeg tastera (5.). Za isključenje trenutnog režima grejanja potrebno je isti taster pritisnuti još jednom. Uređaj se pritiskom tastera I/O može bilo kada isključiti.

Tasterom (6.) na prednjoj ploči uređaja moguće je birati boju svetlosti plamena.

Taster za uključivanje i isključivanje (11) na **daljinskom upravljačima** istu funkciju kao i taster I/O koji se nalazi na uređaju. Sa tasterima (15 i 16) 1000 W i 2000 W na daljinskom upravljaču možete uključiti i isključiti odgovarajući režim rada grejanja. Proveru odabranog režima rada možete izvršiti na uređaju. Tasterima „+“, i „-“ na daljinskom upravljaču možete podesiti željenu temperaturu u opsegu od 15 °C do 30 °C. Taster COLOR (17.) ima identičnu funkciju kao i taster za promenu boja plamena koji se nalazi na kontrolnoj ploči uređaja.

Za podešavanje **datuma i tačnog vremena** uključite uređaj sa tasterom na daljinskom upravljaču (11), nakon toga pritisnite taster DATE/TIME (12). Prvo tasterima (13) „▲“ ili „▼“ podesite dan. Ponovo pritisnite taster DATE/TIME (12), tasterima „+“, i „-“ podesite sate. Pritisnite i treći put taster DATE/TIME (12), i tasterima „+“, i „-“ podesite minute. Na kraju podešavanja pritisnite „OK“ (13) i potvrdite podešavanja.

SUN	MON	TUE	WED	THU	FRI	SAT
Nedelja	Ponedeljak	Utorak	Sreda	Četvrtak	Petak	Subota

**Automatska kontrola grejanja** pritisnite taster IC (14.) na daljinskom upravljaču. Ukoliko se na displeju pojavi ispis „AUTO“ (26.), to znači da je uređaj u automatskom režimu odabira snage grejanja. U ovom slučaju će uređaj na osnovu temperature prostorije i podešenog termostata automatski da odabere stepen grejanja. Za podešavanje temperature koristite tastere termostata „+“, ili „-“ (13.). Sa tasterom „+“ temperatura se povećava a sa tasterom „-“ temperatura se smanjuje, raspon podešavanja je od 15 °C do 30 °C. Ponovnim pritiskom tastera IC (14.) deaktiviraće se automatski režim odabira snage grejanja i na displeju neće svetleti ispis AUTO (26.).

### Tajmerska funkcija, adaptivna regulacija

U uređaj se može programirati 9 programa, za svaki program jedno uključivanje i jedno isključenje. Najduže vreme jednog programa može biti 23 sata i 50 minuta.

Uređaj je opremljen adaptivnom regulacijom grejanja, uređaj je u mogućnosti da predvidi promene temperature i na osnovu tih podataka automatski da odredi optimalno vreme pokretanje grejanja, sve u čiju da bi temperatura bila uvek idealna prema temperaturi koja je podešena termostatom.

## Podešavanje tajmera

1. Pritisnite na daljinskom upravljaču taster TIMER SET (20.)
2. Tasterima (13) „+“, i „-“ odaberite redni broj programa koji želite podešavati (22)
3. Ponovo pritisnite taster TIMER SET (20.)
4. Tasterima (13) „▲“, i „▼“ strelicu (28) postavite na željeni dan (29) odabrani dan se potvrđuje tasterom „+“ dok se tasterom „-“ briše odabrani dan.
5. Ponovo pritisnite taster TIMER SET (20.)
6. Tasterima (13) „+“, i „-“ podesite vreme uključenja (sat) (25)
7. Ponovo pritisnite taster TIMER SET (20.)
8. Tasterima (13) „+“, i „-“ podesite vreme uključenja (minut) (25)
9. Ponovo pritisnite taster TIMER SET (20.). Na displeju će se pojaviti ispis „OFF“ (23)
10. Tasterima (13) „+“, i „-“ podesite vreme isključenja (sat) (25)
11. Ponovo pritisnite taster TIMER SET (20.)
12. Tasterima (13) „+“, i „-“ podesite vreme isključenja (minut) (25)
13. Ponovo pritisnite taster TIMER SET (20.)
14. Tasterima (13) „+“, i „-“ podesite željenu temperaturu (22)
15. Nakon podešavanja tasterom (13) „OK“ potvrdite podešavanje.
16. Tajmerska funkcija se aktivira tasterom na daljinskom upravljaču TIMER ON/OFF (18). Ukoliko je tajmer aktivan na displeju se pojavljuje simbol (30).

## Pregled podešenih tajmerskih vremena

1. Pritisnite na daljinskom upravljaču taster TIMER SET (20.)
2. Tasterom (13) „+“, ili „-“ možete pregledati uključenja svakog programa
3. Za pregled vremena isključenja pritisnite taster (13) „▲“, potom listu pregledajte tasterima „+“, i „-“
4. Tasterom C (19) moguće je brisanje prikazanih programa.

Ekonomični LED izvor svetlosti koji je ugrađen u uređaj nije zamenljiv.

**Zaštita od pregrevanja:** u slučaju pregrevanja isključuje uređaj, na primer ako su ventilacioni otvori prekriveni ili ako su jako uprljani. Uređaj isključite iz struje i ostavite je da se ohladi (min. 30 minuta), po potrebi očistite uređaj. Ponovo uključite uređaj u struju i pokrenite ga. Ako se i tada aktivira zaštita, isključite uređaj i obratite se stručnom licu.

## TEHNIČKI PODACI

n napajanje: .....	230 V~/50 Hz
snaga grejanja [W]: .....	1000 W/2000 W
LED svetlo (nije zamenljivo): .....	13 W
maksimalna snaga: .....	2013 W
IP zaštita: .....	IP20: Nije zaštićena od prodora vode!
dimenzije: .....	91.5 x 45 x 17cm
masa: .....	16 kg

## **CZ** VESTAVNÝ ELEKTRICKÝ KRB S EFEKTY

### SPECIFIKACE

Vestavný elektrický krb s efekty, se zabudovaným topným tělesem a ventilátorem, určený k ohřívání ovzduší v interiérových místnostech

- vestavěný úsporný LED světelný zdroj
- samostatně zapínatelný efekt reálného hořícího dřevěného polena a plamene
- volba barvy plamene
- různé stupně vytápění (1000 W / 2000 W)
- elektronický termostat
- týdenní program
- adaptivní regulace zapínání
- ochrana proti přehřátí
- dálkový ovladač

### POUŽÍVÁNÍ

Přístroj lze ovládat dotykovými tlačítky nebo dálkovým ovladačem. Kryt kolem otvoru pro výstup teplého vzduchu a sklo mohou být horké! Spínačů na přístroji se dotýkejte směrem zpředu, rukama neprotínejte dráhu proudícího teplého vzduchu, protože vzduch může být horký. Po prvním zapnutí můžete cítit mírný zápach spáleniny, což je přirozený jev. Není nebezpečný a brzy odezní.

Hlavní spínač (8) nastavte do polohy I (zapnuto), nyní přístroj vydá krátký zvukový signál.

Dotykovým tlačítkem I/O v **přední části** přístroj zapnete nebo vypnete. Po zapnutí bude fungovat nejprve funkce světelného efektu plamene , bez vytápění. Zabudované topné těleso s ventilátorem můžete zapínat ve dvou stupních, a to s příkonem 1000 W nebo 2000 W, dotykovými tlačítky (5.) umístěnými v přední části. Dalším stisknutím těchto tlačítek aktuální stupeň vytápění vypnete. Tlačítkem I/O přístroj kdykoli vypnete.

Dotykovým tlačítkem (6.) umístěným v přední části přístroje určeným k volbě barvy plamene změňte barvu světelného efektu hořícího plamene.

Funkce tlačítka zapínání a vypínání **nadálkovém ovladači** (11) je stejná, jako funkce tlačítka I/O na přístroji. Pomocí tlačítek 1000 W a 2000 W na dálkovém ovladači (15 a 16) zapnete nebo vypnete daný stupeň vytápění. Zvolený stupeň vytápění zkontrolujete na přístroji. Pomocí tlačítka „+“ a „-“ na dálkovém ovladači nastavíte požadovanou teplotu, a to v rozsahu 15 °C až 30 °C. Funkce tlačítka COLOR (17) na dálkovém ovladači je stejná, jako funkce dotykového tlačítka pro regulaci barvy plamene nacházejícího se v přední části přístroje.

Pro **nastavení data a času** zapněte přístroj tlačítkem pro zapnutí a vypnutí (11) na dálkovém ovladači, potom stiskněte tlačítko DATE/TIME (12). Nejprve zvolte den, a to stisknutím symbolu „▲“ nebo „▼“ na tlačítku volby (13) umístěného na dálkovém ovladači. Znovu stiskněte tlačítko DATE/TIME (12), potom pomocí tlačítka volby „+“ nebo „-“ nastavte hodinu. Znovu stiskněte tlačítko DATE/TIME (12), potom pomocí tlačítka volby „+“ nebo „-“ nastavte minuty. Stisknutím symbolu „OK“ na tlačítku volby (13) zvolený čas uložíte.

SUN	MON	TUE	WED	THU	FRI	SAT
Neděle	Pondělí	Úterý	Středa	Čtvrtek	Pátek	Sobota

Pro **automatickou regulaci funkce vytápění** stiskněte tlačítko IC na dálkovém ovladači (14). Jestliže se na displeji přístroje objeví nápis „AUTO“ (26), je zapnutá funkce automatické volby stupně vytápění. V takovém případě přístroj v závislosti na nastavené teplotě v dané místnosti volí stupeň vytápění automaticky. Pro nastavení požadované teploty stiskněte na tlačítku volby na dálkovém ovladači (13) symbol „+“ nebo „-“. Stisknutím tlačítka „+“ teplotu zvýšíte, stisknutím tlačítka „-“ pak snížíte požadovanou teplotu, a to v rozsahu 15 °C až 30 °C.

Dalším stisknutím tlačítka IC na dálkovém ovladači (14) tuto funkci vypnete, na displeji již nebude vyobrazen nápis AUTO (26).

### Funkce časování, adaptivní regulace zapínání

Přístroj je schopen uložit najednou celkem 9 programů, pro každý program lze nastavit čas zapnutí a vypnutí. Maximální čas jednotlivých programů lze nastavit na hodnotu 23 hodin a 50 minut.

Přístroj je vybaven adaptivní regulací vypínání, kdy dokáže předem určit optimální čas začátku procesu ohřívání a spustit proces vytápění tak, aby do daného termínu bylo dosaženo nastavené teploty.

### Nastavení funkce časování

1. Na dálkovém ovladači stiskněte tlačítko TIMER SET (20).
2. Pomocí tlačítka volby (13) a symbolu „+“, respektive „-“ zvolte pořadové číslo programu, který chcete nastavit (22).
3. Na dálkovém ovladači stiskněte dvakrát tlačítko TIMER SET (20).
4. Pomocí tlačítka volby (13) nastavte pomocí symbolu „▲“, respektive „▼“ kurzor (28) na požadovaný den (29), který následovně zvolíte stisknutím symbolu „+“. Stisknutím symbolu „-“ můžete vymazat dříve zvolené dny.
5. Na dálkovém ovladači stiskněte dvakrát tlačítko TIMER SET (20).
6. Pomocí tlačítka volby (13) nastavte pomocí symbolu „+“, respektive „-“ čas zapnutí (hodina) (25).
7. Na dálkovém ovladači stiskněte opět tlačítko TIMER SET (20).
8. Pomocí tlačítka volby (13) nastavte pomocí symbolu „+“, respektive „-“ čas zapnutí (minuty) (25).
9. Na dálkovém ovladači stiskněte znovu tlačítko TIMER SET (20). Na displeji bude vyobrazen nápis „OFF“ (23).
10. Pomocí tlačítka volby (13), respektive symbolů „+“ nebo „-“ zvolte čas vypnutí (hodina) (25).
11. Na dálkovém ovladači stiskněte znovu tlačítko TIMER SET (20).
12. Pomocí tlačítka volby (13), respektive symbolů „+“ nebo „-“ zvolte čas vypnutí (minuty) (25).
13. Na dálkovém ovladači stiskněte znovu tlačítko TIMER SET (20).
14. Pomocí tlačítka volby (13), respektive symbolů „+“ nebo „-“ zvolte požadovanou teplotu (22).
15. Stisknutím nápisu „OK“ na tlačítku volby (13) program uložíte do paměti.
16. Tlačítkem TIMER ON/OFF na dálkovém ovladači (18) aktivujete funkci časování. Po zapnutí se na displeji objeví signalizace funkce časování (30).

### Přehled nastavených časů

1. Na dálkovém ovladači stiskněte tlačítko TIMER ON/OFF (20)
2. Pomocí tlačítka volby (13), respektive symbolů „+“ nebo „-“ si můžete prohlédnout nastavené časy zapnutí přiřazené k jednotlivým programům.
3. Pro vyobrazení přehledu nastavených časů vypnutí stiskněte na tlačítku volby (13) symbol „▲“, potom si pomocí symbolů „+“, respektive „-“ můžete prohlédnout nastavené časy vypnutí přiřazené k jednotlivým programům.
4. Stisknutím tlačítka C na dálkovém ovladači (19) jednotlivé programy vymažete.

Zabudovaný energeticky úsporný a elektronicky ovládaný světelný zdroj LED je bezúdržbový a nelze jej vyměňovat.

**Ochrana proti přehřátí** přístroj v případě přehřátí vypne, např. při zakrytí vstupních a výstupních otvorů vzduchu. Přístroj odpoje z elektrické sítě vytažením ze zásuvky. Přístroj nechte vychladnout (min. 30 minut). Zkontrolujte, zda jsou vstupní a výstupní otvory vzduchu volné; pokud je to nutné, vyčistěte je. Přístroj opět uveďte do provozu. Jestliže se i potom aktivuje ochrana proti přehřátí, odpojte přístroj z elektrické sítě vytažením ze zásuvky a kontaktujte odborný servis.

## TECHNICKÉ PARAMETRY

napájení: .....230 V~/50 Hz  
topný výkon [SSS]: .....1000 W/2000 W  
LED osvětlení (nelze vyměňovat): .....13 W  
maximální příkon: .....2013 W  
IP krytí: .....IP20: Není chráněno proti vniknutí vody!  
rozměry topného tělesa: .....91.5 x 45 x 17cm  
hmotnost: .....16 kg



## UGRADNI ELEKTRIČNI PANORAMSKI KAMIN

### ZNAČAJKE

- Ugradni električni panoramski kamin s ugrađenim ventilatorskim grijačem za grijanje unutarnjeg zraka • ugrađeni štedljivi LED izvor svjetla • realističan efekt užarenog trupca i plamena koji se može koristiti i samostalno • podesiva boja plamena • izborna snaga grijanja ( 1000 W / 2000 W ) • električni termostat • tjedni program • adaptivna kontrola uključivanja • zaštita od pregrijavanja • daljinski upravljač

### RAD

Uređajem se može upravljati dodirnim tipkama na njemu ili daljinskim upravljačem. Poklopac i staklo oko izlaza vrućeg zraka mogu biti vrući! Prekidače na aparatu dodirnete s prednje strane, nemojte rukama prelaziti topli zrak koji izlazi jer može biti vruć. Kada ga prvi put uključite, možete osjetiti lagani miris, što je prirodna pojava. Bezopasan je i brzo hlapi.

Okrenite glavni prekidač (8) u položaj I (uključeno), uređaj će kratko pištati.

Upotrijebite I/O dodirnu tipku na prednjoj strani uređaja za uključivanje i isključivanje uređaja. Kada se uključí, samo se pali efekt plamena bez zagrijavanja u početku. Ugrađeni ventilatorski grijač možete uključiti u dva koraka, 1000 W ili 2000 W, pomoću dodirnih tipki na prednjoj strani uređaja (5.). Također možete isključiti trenutnu razinu grijanja ponovnim pritiskom na iste tipke. Uređaj možete isključiti u bilo kojem trenutku tipkom I/O.

Pomoću gumba za odabir plamena (6) na prednjoj strani uređaja odaberite boju efekta plamena.

Funkcija tipke za uključivanje/isključivanje (11) na daljinskom upravljaču ista je kao i funkcija tipke I/O na jedinici. Upotrijebite tipke 1000 W i 2000 W (15 i 16) na daljinskom upravljaču za uključivanje i isključivanje razine grijanja. Možete provjeriti odabranu razinu na jedinici. Pomoću tipke "+" ili "-" na daljinskom upravljaču postavite željenu temperaturu između 15°C i 30°C. Funkcija tipke COLOR (17) na daljinskom upravljaču jednaka je funkciji dodirne tipke boje plamena na prednjoj strani jedinice.

**Za postavljanje datuma i vremena**, uključite jedinicu tipkom za uključivanje/isključivanje (11) na daljinskom upravljaču, zatim pritisnite tipku DATE/TIME (DATUM/VRIJEME) (12). Prvo odaberite dan pritiskom na simbol "▲" ili "▼" na biraču daljinskog upravljača (13). Ponovno pritisnite tipku DATE/TIME (DATUM / VRIJEME) (12.), zatim podesite sat pomoću tipke "+" ili "-" na biraču. Ponovno pritisnite tipku DATE/TIME (DATUM/VRIJEME) (12), zatim podesite minute pomoću tipke "+" ili "-" na višesmjernom biraču. Pritisnite simbol "OK" na biraču (13.) za spremanje podešenog vremena.

SUN	MON	TUE	WED	THU	FRI	SAT
Nedjelja	Ponedjeljak	Utorak	Srijeda	Četvrtak	Petak	Subota

Za automatsko upravljanje grijanjem, pritisnite tipku IC (14) na daljinskom upravljaču. Ako se na zaslonu proizvoda pojavi "AUTO" (26.), aktivira se automatski odabir stupnja grijanja. U ovom trenutku, uređaj je postavljen na sobnu temperaturu i podešen ovisno o temperaturi, automatski odabire stupanj grijanja. Pritisnite simbol "+" ili "-" na daljinskom upravljaču (13) za postavljanje željene temperature. Pritisnite tipku "+" za povećanje, pritisnite tipku "-" za smanjenje željene temperature između 15°C i 30°C.

Funkciju možete deaktivirati ponovnim pritiskom na tipku IC (14) na daljinskom upravljaču, na zaslonu neće prikazati AUTO natpis (26).

### Funkcija tajmera, prilagodljiva kontrola uključivanja

Uređaj može pohraniti 9 programa odjednom, kod svakog se programa može postaviti vrijeme uključivanja ili isključivanja. Maksimalna duljina koja se može postaviti za svaki program je 23 sata i 50 minuta.

Proizvod ima prilagodljivu kontrolu uključivanja, koja može unaprijed odrediti optimalno vrijeme za početak procesa grijanja i pokrenuti proces grijanja kako bi se postigla zadana temperatura do željenog vremena.

### Postavljanje tajmera

1. Pritisnite tipku TIMER SET (20.) na daljinskom upravljaču.
2. Koristite simbole "+" ili "-" na višesmjernom biraču (13) za odabir broja programa koji želite postaviti (22).
3. Ponovno pritisnite tipku TIMER SET (20) na daljinskom upravljaču.
4. Pomoću birača (13) pomaknite kursor (28) na željeni dan (29) i pritisnite simbol "+" za odabir. Prethodno odabrane dane možete ukloniti pritiskom na simbol "-".
5. Ponovno pritisnite tipku TIMER SET (20) na daljinskom upravljaču.
6. Pomoću selektora (13.) odaberite vrijeme uključivanja (sati) pomoću simbola "+" ili "-" (25.)
7. Ponovno pritisnite tipku TIMER SET (20) na daljinskom upravljaču.
8. Pomoću selektora (13.) odaberite vrijeme uključivanja (minute) pomoću simbola "+" ili "-" (25).
9. Ponovno pritisnite tipku TIMER SET (20) na daljinskom upravljaču. Na zaslonu ćete vidjeti "OFF" (23.)
10. Pomoću birača (13.) odaberite vrijeme isključivanja (sati) pomoću simbola "+" ili "-" (25.)
11. Ponovno pritisnite tipku TIMER SET (20) na daljinskom upravljaču.
12. Pomoću birača (13.) simbola "+" ili "-" odaberite vrijeme isključivanja (minuta) (25.)
13. Ponovno pritisnite tipku TIMER SET (20) na daljinskom upravljaču.
14. Odaberite željenu temperaturu pomoću simbola "+" ili "-" na biraču (13.) (22.)
15. Pritisnite birač (13.) za spremanje programa.
16. Upotrijebite tipku TIMER ON/OFF (18.) na daljinskom upravljaču za aktiviranje funkcije tajmera. Kada je uključen, na zaslonu će se pojaviti indikator tajmera (30).

### Popis postavljenih tajmera

1. Pritisnite tipku TIMER SET (20.) na daljinskom upravljaču.
2. Upotrijebite simbole "+" ili "-" na biraču (13.) za prikaz vremena uključivanja dodijeljenih svakom programu.
3. Za popis vremena isključivanja, pritisnite simbol "▲" na biraču (13.), a zatim upotrijebite simbole "+" ili "-" da vidite vremena isključenja koja su dodijeljena svakom programu.
4. Pritisnite tipku C (19) na daljinskom upravljaču za brisanje svakog programa

Ugrađeni LED izvor svjetla koji štedi energiju i elektronički se upravlja, ne zahtijeva zamjenu niti se može zamijeniti.

**Zaštita od pregrijavanja** isključuje uređaj u slučaju pregrijavanja, npr. pri pokrivanju ulaza i izlaza za zrak. Isključite uređaj iz utičnice izvlačenjem utikača. Pustite da se aparat ohladi (min. 30 minuta). Provjerite jesu li otvori za ulaz i za izlaz zraka slobodni; očistite ako je potrebno. Ponovo uključite uređaj. Ako se zaštita od pregrijavanja i dalje aktivira, isključite uređaj iz utičnice i obratite se stručnom servisu.

### SPECIFIKACIJE

napajanje: .....	230 V~/50 Hz
snaga [ULS]: .....	1000 W / 2000 W
LED svjetlo (nisu zamjenjivi): .....	13 W
maksimalna snaga: .....	2013 W
IP zaštita: .....	IP20: Nije zaštićen od prodora vode!
dimenzije grijača: .....	91.5 x 45 x 17cm
težina: .....	16 kg



Producer / gyártó / výrobca / producător / proizvođač / výrobce / proizvođač / producent:  
**SOMOGYI ELEKTRONIC®** • H – 9027 • Győr, Gesztenyefa út 3. • [www.somogyi.hu](http://www.somogyi.hu)

Distribútor: **SOMOGYI ELEKTRONIC SLOVENSKO s. r. o.**  
Ul. gen. Klapku 77, 945 01 Komárno, SK • Tel.: +421/0/35 7902400 • [www.somogyi.sk](http://www.somogyi.sk)

Distribuitoar: **S.C. SOMOGYI ELEKTRONIC S.R.L.**  
J12/2014/13.06.2006 C.U.I.: RO 18761195  
Cluj-Napoca, județul Cluj, România, Str. Prof. Dr. Gheorghe Marinescu, nr. 2, Cod poștal: 400337  
Tel.: +40 264 406 488, Fax: +40 264 406 489 • [www.somogyi.ro](http://www.somogyi.ro)

Uvoznik za SRB: **ELEMENTA d.o.o.**  
Jovana Mikića 56, 24000 Subotica, Srbija • Tel:+381(0)24 686 270 • [www.elementa.rs](http://www.elementa.rs)  
Zemlja uvoza: Mađarska • Zemlja porekla: Kina • Proizvođač: Somogyi Elektronik Kft.

Uvoznik za HR: **ZED d.o.o.**  
Industrijska c. 5, 10360 Sesvete, Hrvatska • Tel: +385 1 2006 148 • [www.zed.hr](http://www.zed.hr)  
Uvoznik za BiH: **DIGITALIS d.o.o.**  
M.Spahe 2A/30, 72290 Novi Travnik, BiH • Tel: +387 61 095 095 • [www.digitalis.ba](http://www.digitalis.ba)  
Proizvođač: Somogyi Elektronik Kft, Gesztenyefa ut 3, 9027 Gyor, Mađarska

